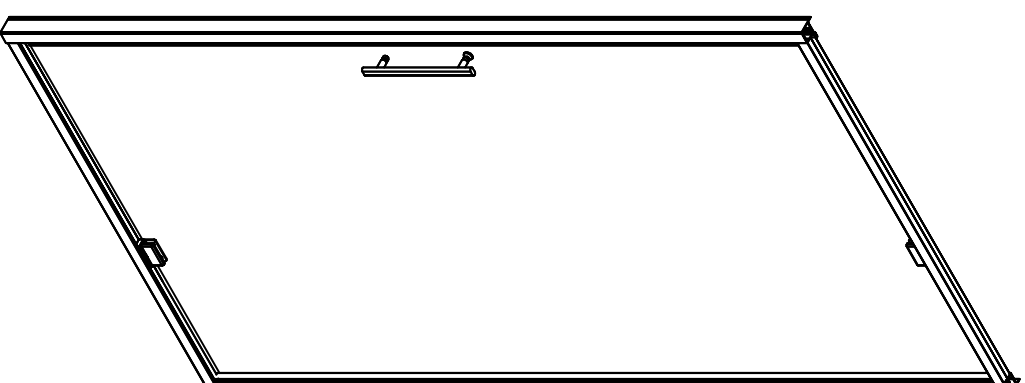


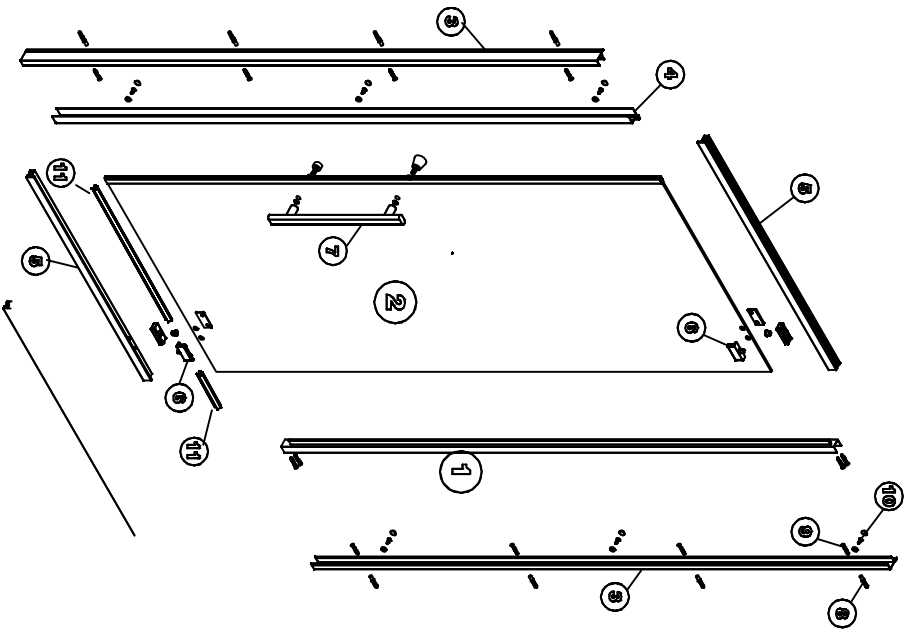
SHOWER ENCLOSURE INSTALLATION INSTRUCTIONS



INSPECTION AFTER OPENING

Please read these installation instructions and check that all the parts are supplied and in good working order. If there are any missing or damaged items, please contact your supplier.

INSTALLATION INSTRUCTIONS



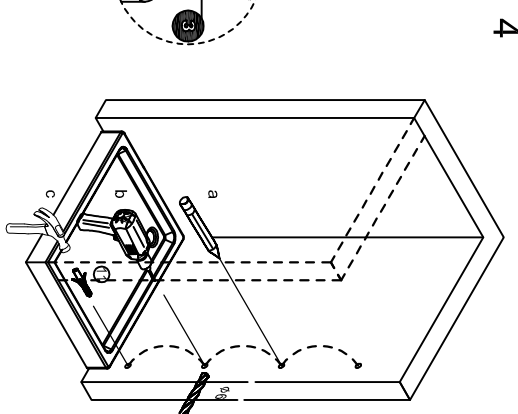
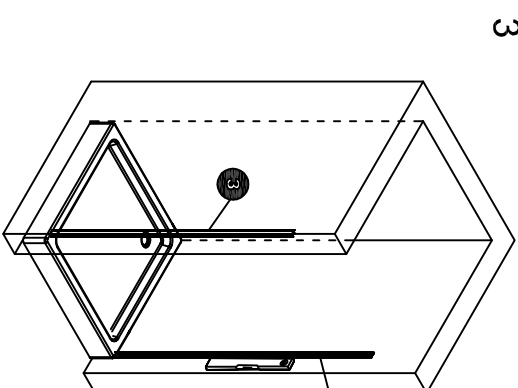
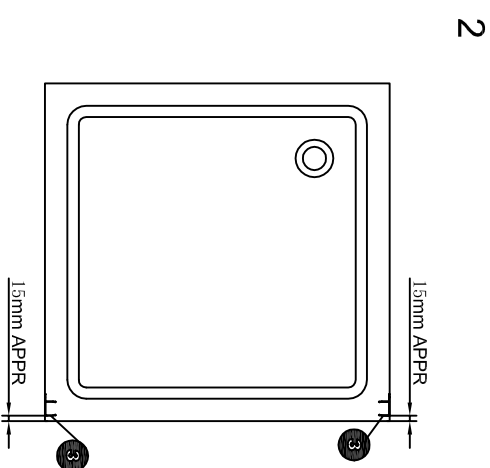
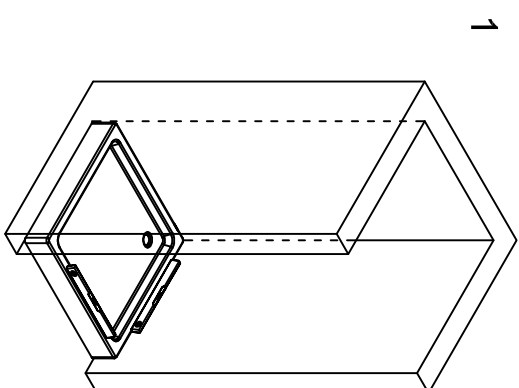
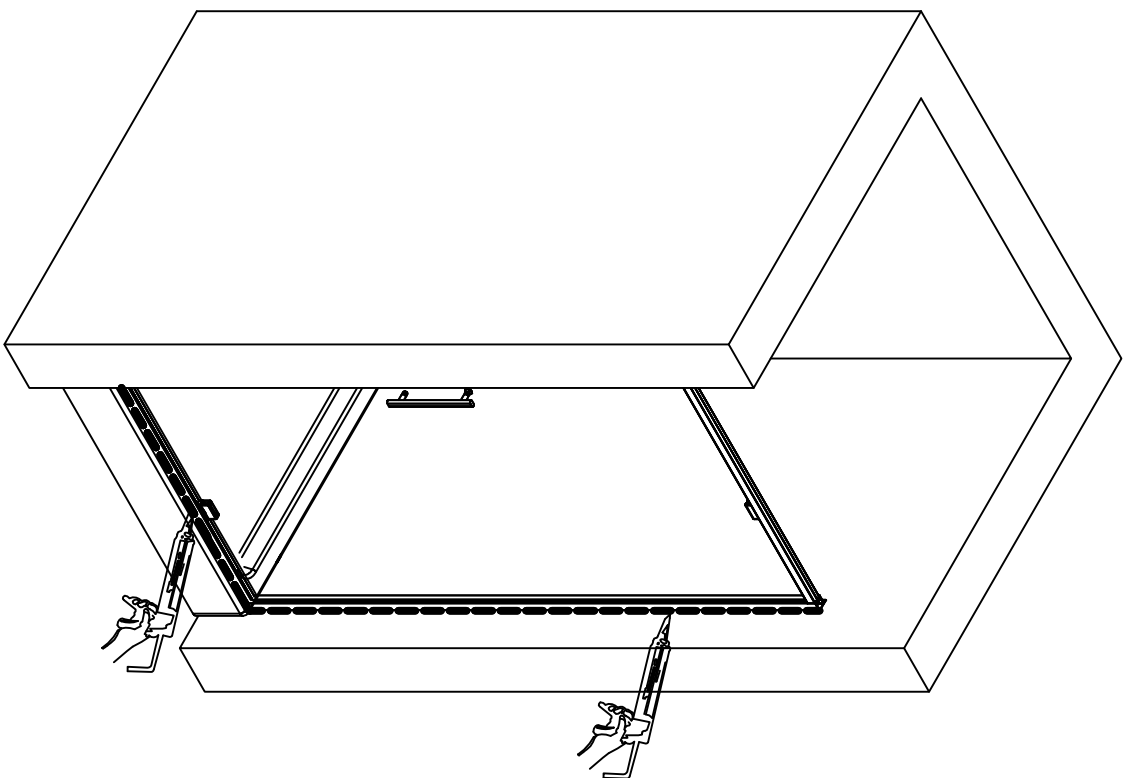
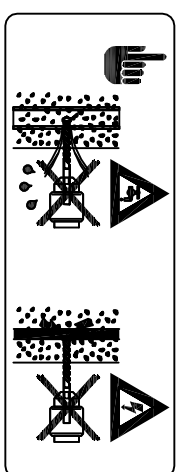
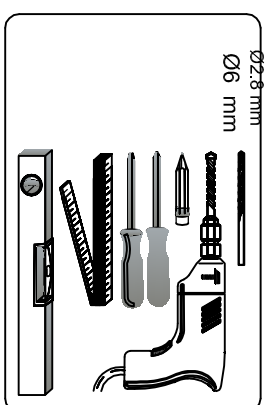
NO	PCS	DESCRIPTION
1	1	Vertical Door Extrusion
2	1	Door Assembly
3	1	Door Wall Receiver
4	1	Vertical Door Extrusion
5	2	Top and Bottom Sill Extrusion
6	2	Pivot Block Assembly
7	1	Handle Assembly N

NO	PCS	DESCRIPTION
8	8	Wall Plug
9	12	Screw S/S ST4X30
10	6	Screw with Cap S/S ST4X12
11	2	Deflector

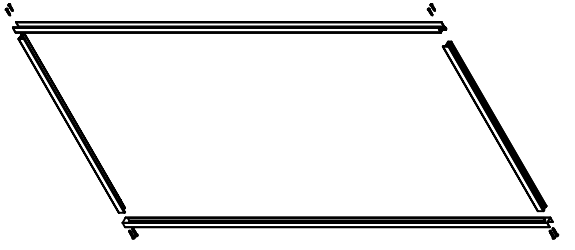
1. Before installing the door, the shower base and wall liner must be already installed in accordance with the separate instructions. Measure approximately 15mm from the outer edge of shower base and mark this position both sides (as per fig 1). The door configuration (ie door to the left or right) must be determined. Place the wall receiver for the door in position and level vertically (as per fig 3). Drill holes using a 3mm drill bit and fasten to the wall using the ST4 x 30 screws (item 12). (Solid fixing to nogs is preferred). However if a nog is not available enlarge the hole to 6mm to receive a wall plug (as per fig 4). Repeat the process for the fixed return panel (item 1). Hint: It is good practice to apply an "eye brow" of silicone sealer above each screw prior to fixing. Apply silicone to the screw thread also.
2. Position the door assembly (already complete) into the wall receiver. Adjust for "best fit" to the shower base (as per fig 5 and 6) Mark this position.
3. Drill the lowest hole first to ensure that the "best fit" to shower base is retained (appror. 50mm from the shower base). Fit the other side to the wall receiver using the same method. (as per fig 7)
4. Check that the door functions normally, opens freely and closes to the magnetic seals. If the door is too low at the handle end, push the door assembly closer at the top prior to drilling and fixing. Drill and fix the door assembly using the ST4 x 12 screws with caps.
5. Recheck that the door functions normally, opens freely and closes to the magnetic seals.
6. Fitting the handles. This can be done at any time during the installation process. Take care to ensure that the clear washers are fitted either side of the glass to prevent metal to glass contact (as per fig 8) Do not over tighten.
7. Apply a neat bead of silicone around the outside perimeter of the shower.

Note: Masking the area to be sealed will give you a better finish.

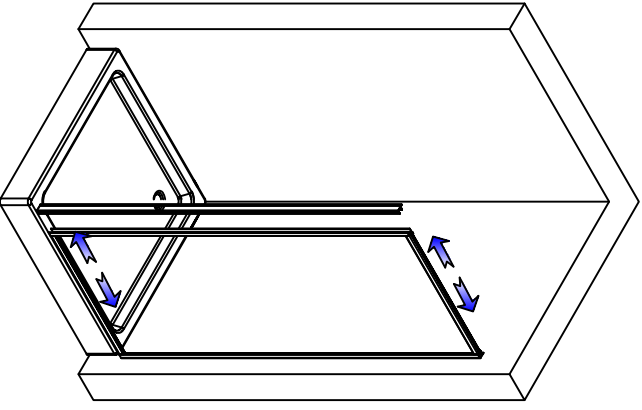
IMPORTANT: DO NOT APPLY SILICONE TO THE INSIDE OF THE SHOWER



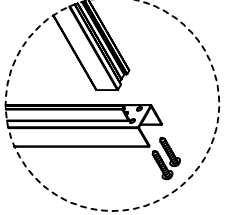
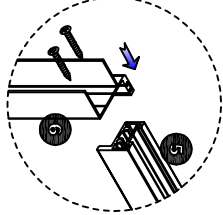
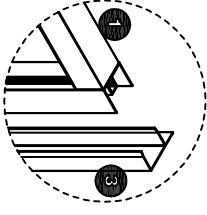
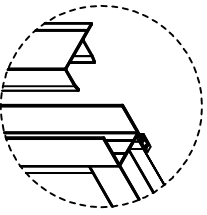
5



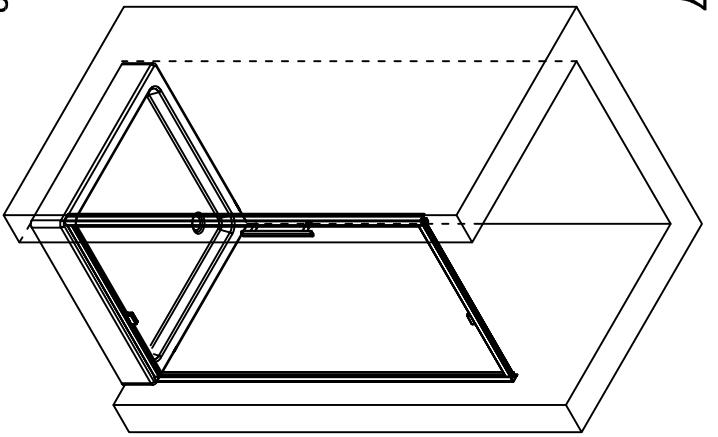
6



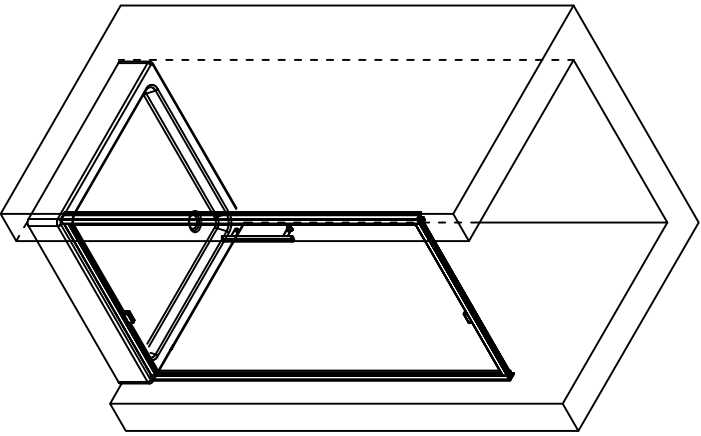
—4—



7



8



—5—

