



IMPORTANT - PLEASE RETAIN THIS DOCUMENT FOR WARRANTY REFERENCE. PLEASE ALSO ATTACH YOUR SALES RECEIPT FOR ANY FUTURE INQUIRIES

INSTALLATION GUIDE

2 Sided 2 Panel Sliding Door Set

1

Contents

Introduction	Page 3
Contents supplied	Page 4
Tools required / safety warnings	Page 5
Installing wall receivers	Page 6
Assembling the door frame	Page 7
Pre - Fitting glass panels	Page 8
Fine adjustment of glass panels	Page 9
Fixing the corner post	Page 10
Door assembly and installation	Page 11
Door adjustment	Page 12
Door adjustment	Page 13
Installing sealant	Page 14
Warranty / cleaning and after sales service	Page 15

2 Introduction

Thank you for purchasing a Fibre Systems product. As a 100% New Zealand owned and operated company with over 35 years experience, we appreciate your support, and we're sure you will find this product of the highest quality.

This installation manual is designed to provide you as much assistance as possible during the installation process. If at any stage you encounter confusion, we invite you to contact us at your earliest convenience. One of our technicians will be more than happy to talk you through any questions you may have. Our contact details are at the back page of this manual.

It is important to consider the implications of not only a voided warranty, but also potential water leakage if installation is not carried out correctly. It's always better to be safe than sorry.

This product has been manufactured to meet all of our quality assurance standards, and as required by the New Zealand Building code, our glass is manufactured to meet all requirements of AS / NZS 2208.

This product is also covered by our full 10 year "NO NONSENSE" warranty. The full details of this can be found on Page 15 of this manual.

Product Orientation

This instruction document is designed for all unequal sided framed sliding door set installations. The images in this manual depict a Right handed (RH) and Left Handed (LH) shower installation. The methods described are the same for both configurations.

All door sets are reversible, just position the return panel on the suitable side, and flip the door over to suit the opening direction required.



1200x900 LH

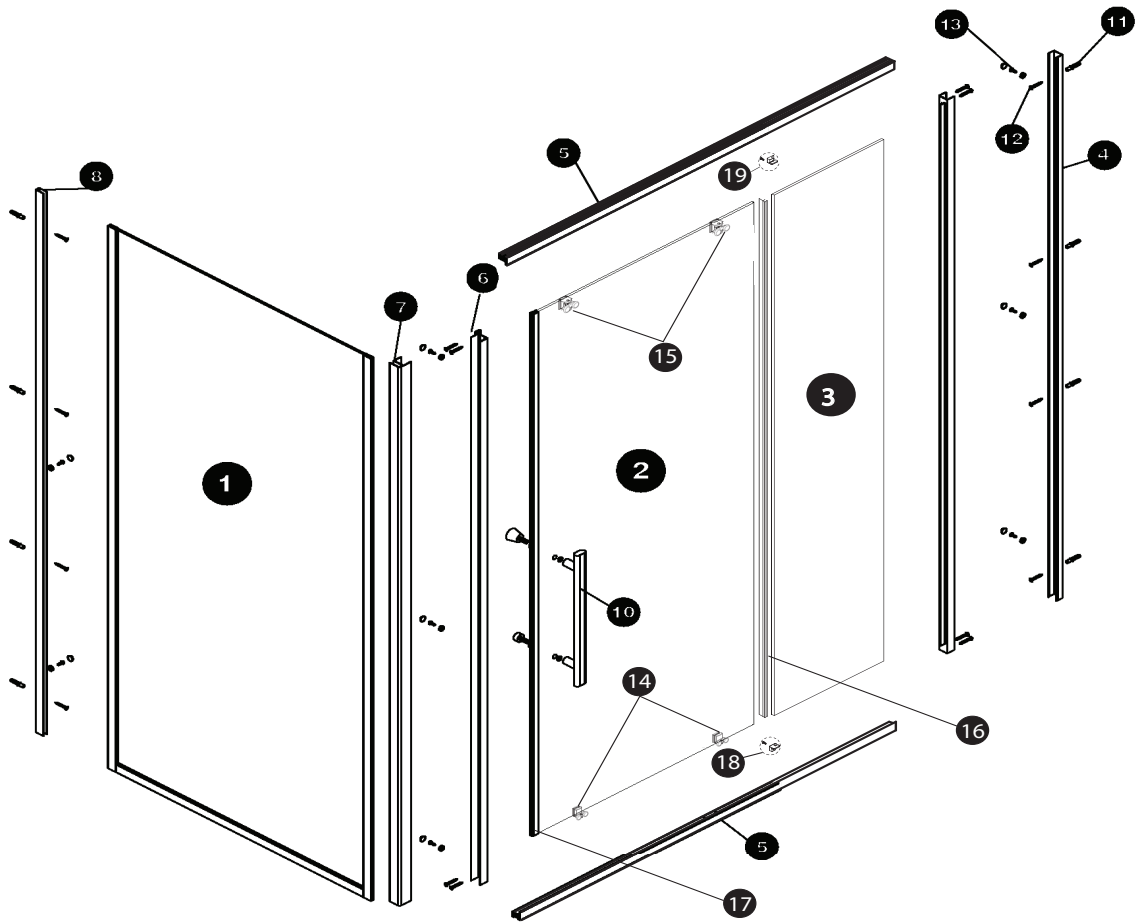


1200x900 RH

Doors are completely reversible

3 Contents Supplied

Please ensure that all parts listed below are supplied prior to starting installation



PARTS LIST

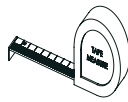
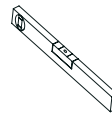

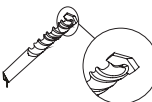
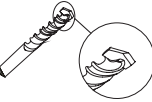
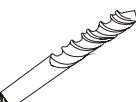
Part Number	Description (QTY)
1	Large glass return panel (1)
2	Glass Door panel (1)
3	Glass Fixed return panel (1)
4	Door Wall Receiver (1)
5	Door Horizontal Extrusion (2)
6	Door Vertical Extrusions (2)
7	Corner Post (1)
8	Return Panel Wall Receiver (1)
10	Handle (1)

Part Number	Description (QTY)
11+12	Fixing pack incl Anchors
13	Screws ST4 x 12 and Domes (12)
14	Bottom rollers (2)
15	Top rollers (2)
16	Vertical weatherseal (1)
17	Magnetic door seal (1)
18+19	Glass retainer clip set LH/RH (1)

4

Tools Required

	Flat head Screwdriver
	Phillips Screwdriver
	Marking Tool
	Drill
	Hammer

	Tape Measure
	Level
	Caulking Gun / Silicone
	6mm Tile Drill Bit (if wall surface is tiled and hollow wall anchors are installed)
	3mm Tile Drill Bit (if wall surface is tiled and solid timber mounting is available)
	3mm HSS Drill Bit

** We recommend the use SIKA Sikasil NG Silicone

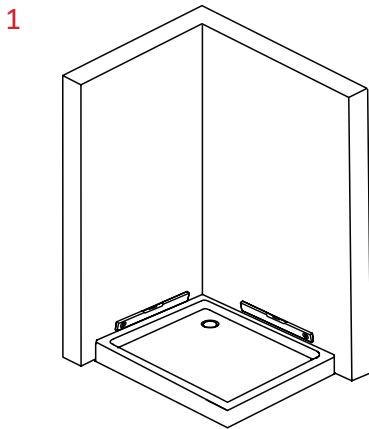
Safety / Warnings

Warning - The Glass Panels of this product are made from high quality Safety Glass. The nature of Safety Glass means that it is highly impact resistant on its FACE (flat side). However, it is sensitive to impact on its edges. Take all possible steps to ensure the edges of the glass panels are protected from impact during installation.

Safety - Please take all possible steps to ensure that the correct Personal Protection Equipment is used, and that care is taken during the installation of this product.

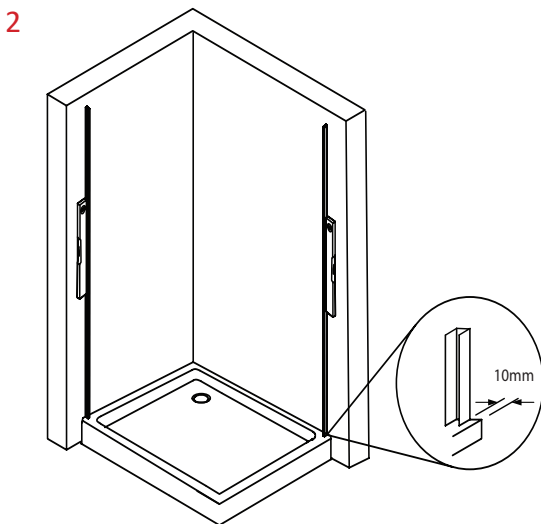
5 Installing wall receivers

Before installing the wall receivers, the shower tray and wall liner must be installed in accordance with the separate instruction manual.



Step 1 - Using a level, ensure the tray is level along all 4 edges prior to channel installation.

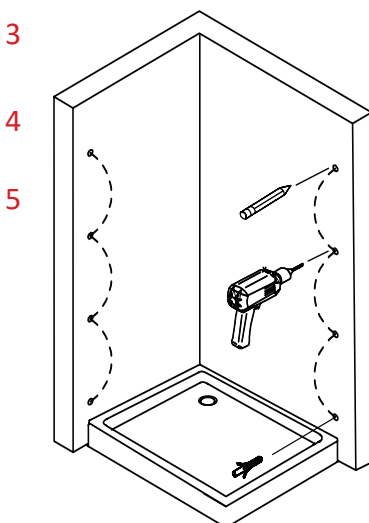
IMPORTANT - If you are installing the doorset onto a **TILED WALL** and an **ACRYLIC TRAY**, the **floor AND wall** channels should be installed to the wall substrate **PRIOR TO TILING**.



Step 2 - Place the wall receivers onto the wall and ensure the end of the receiver is touching the tray or floor substrate.

Position the wall receivers approx 10mm **INSIDE** of the outer edge of the tray.

Take care to ensure you install the correct receiver onto the right side of the wall linings. The door frame wall receiver is the wider receiver.



Step 3 - Drill 3mm pilot holes.

Step 4 - If the walls are hollow, drill a 6mm hole, and install the hollow wall anchors.

If you have solid timber fixings (preferable), drill a 3mm pilot hole through the wall surface.

Step 5 - Install screws through wall receivers and into wall / wall anchors. Run a small "eyebrow" of silicone onto the thread as you insert the screw.

6

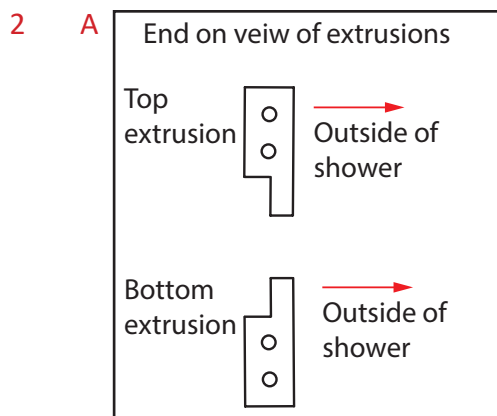
Assembling the door frame

WARNING - Take care when lifting and installing the glass panels. These panels are safety glass, which is very strong on its face, but it's edges are highly sensitive to impact. It is recommended to wear safety glasses, and also use glazing suction tools when lifting and placing the glass into the channels.

1 **Step 1** - Layout all the components you will need to assemble the door frame.

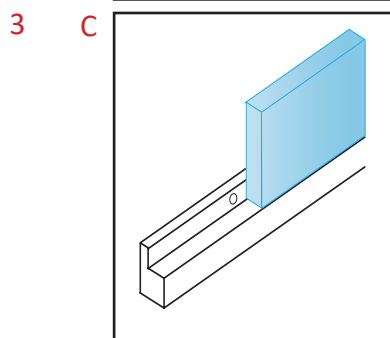
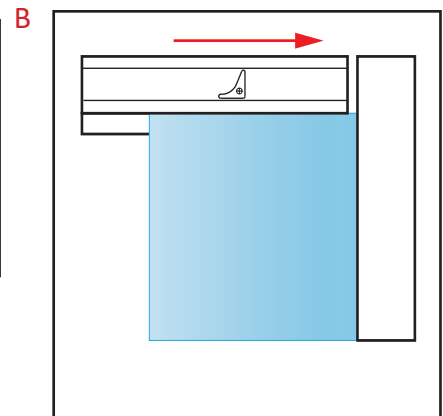
Components required

- Horizontal extrusions x 2
- Vertical extrusions x 2
- Glass fixed return panel x 1
- Fixing screws x 8

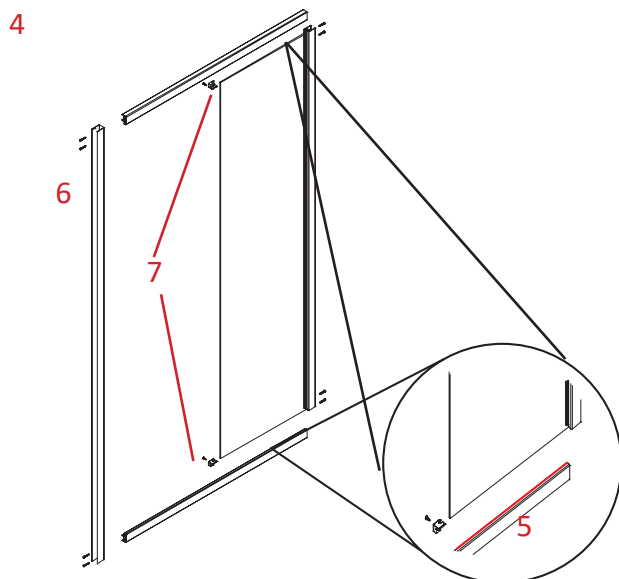


Step 2 - Position the top and bottom horizontal extrusions as per the diagram, (FIG A)

Check that the door stoppers are positioned closest to the fixed return panel.



Step 3 - Offer up the top and bottom horizontal extrusion loosely to the glass panel, and check that the small holes drilled into the inner face of the extrusions are approx 8-10mm from the outer edge of the return glass panel (FIG C).



Step 4 - Install a bead of silicone onto the bottom horizontal extrusion as shown in the diagram. Then attached the bottom horizontal extrusion to the glass panel and install 2 fixing screws.

Step 5 - Repeat the process for the top horizontal extrusion. Clean excess silicone.

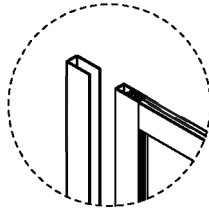
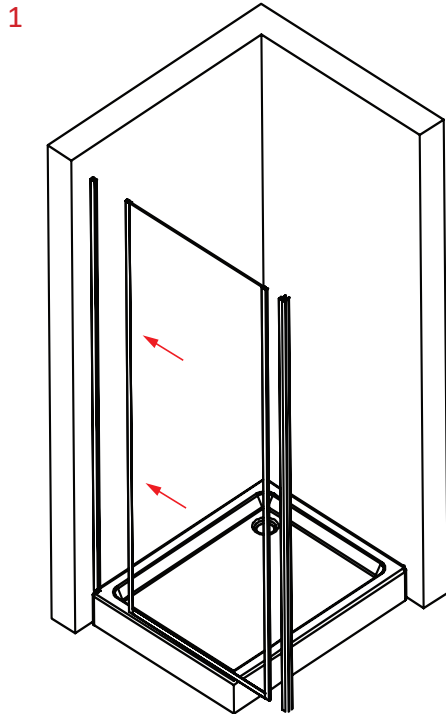
Step 6 - Install the vertical extrusions to the door frame with 4 x fixing screws.

Step 7 - Install the glass retaining clips to the top and bottom horizontal extrusions, and tighten so the glass is held solidly to the frame. Wipe off all excess silicone.

7

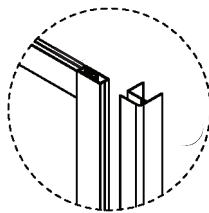
Pre-fitting the glass panels

WARNING - Take care when lifting and installing the glass panels. These panels are safety glass, which is very strong on its face, but it's edges are highly sensitive to impact. It is recommended to wear safety glasses, and also use glazing suction tools when lifting and placing the glass into the channels.



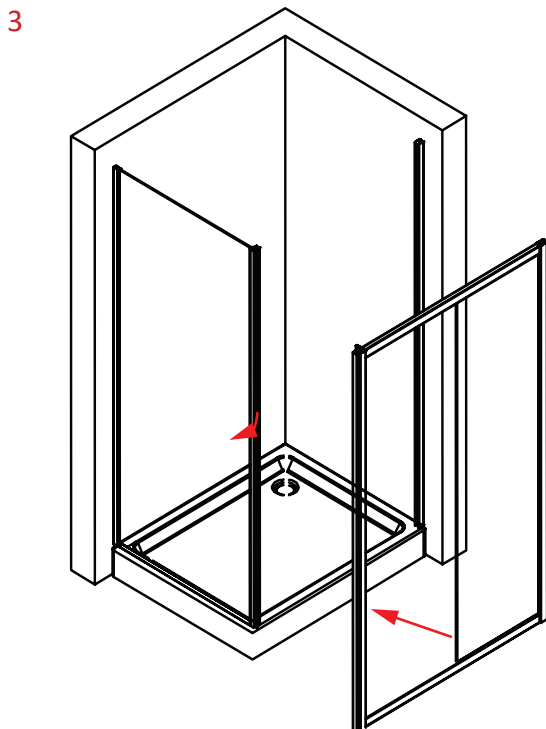
Step 1 - Place the glass return onto the top of the tray. Gently slide the panel into the narrow wall receiver.

DO NOT fix the return panel onto the wall receiver.



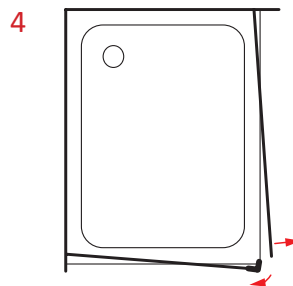
Step 2 - Loose fit the corner post onto the return panel

DO NOT fix the corner post onto the return panel.



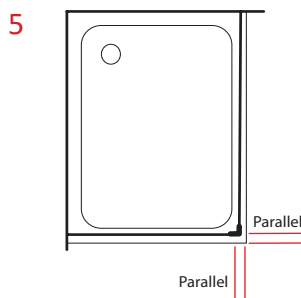
Step 3 - Place the door frame onto the tray and carefully slide it into the wall receiver.

DO NOT fix the return panel onto the wall receiver.



Step 4 - Carefully swivel both panels outwards so the outer edges extend over the edge of the tray.

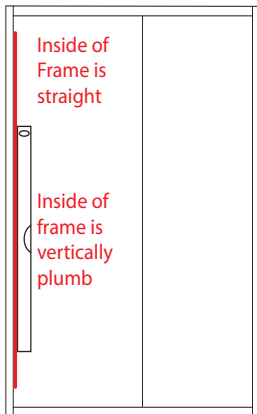
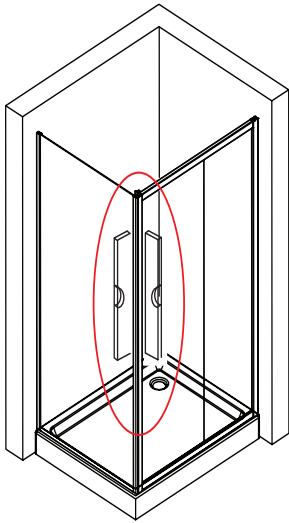
Slowly bring the corner post and door panel together, and gently slide the corner post over the door panel.



Step 5 - Adjust the panels so the bottom channels are sitting parallel with the front edge of the tray.

Fine adjustment of panels

1



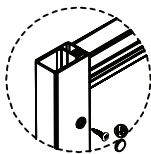
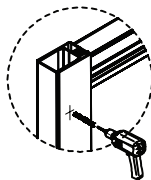
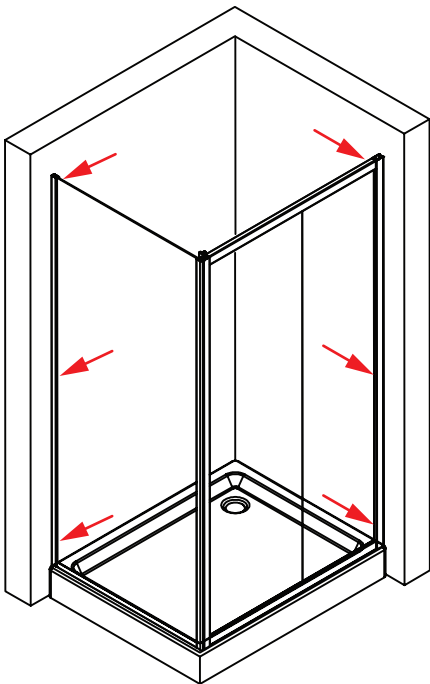
Step 1 - Place a level on each outer edge of the corner post extrusion. Slide the corner post in and out of the door frame and return panel until it is vertically level on both edges.

Step 2 - CHECK

- The return panel and door panel bottom extrusions are parallel with the front edges of the tray.
If they are not, then slide the panels in and out of the wall receivers and corner post extrusion until alignment is corrected.
- If there is at least 10mm overlap between the wall receiver and corner post of each panel.
If there is not enough overlap, carefully slide the return panel in and out of the wall receiver and corner post until there is adequate overlap on both edges.
- If the inside closing edge of the door frame is a. vertically plumb, and b. straight. If the frame is not vertically plumb adjust it in the receivers, and if the frame is not straight then adjust it in the corner post.

Failure to adjust the door properly within the frame could mean the sliding door is difficult to adjust or will not close evenly to the frame.

3



Step 3 -

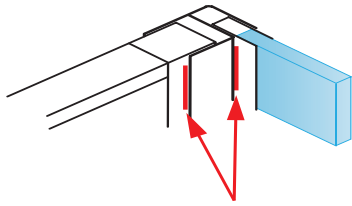
- Working from the INSIDE of the shower**, drill 3 holes right through the wall receiver and the inside of the return panel extrusion. Make the top and bottom holes approx 40mm from the outer edges, and then the third holes in the center of the extrusion.
- Repeat this on the door frame side.
- Install the screws with dome retainers into the holes, and fix tightly. Fit the screw domes.

9

Fixing the corner post

1

OUTSIDE OF CORNER POST

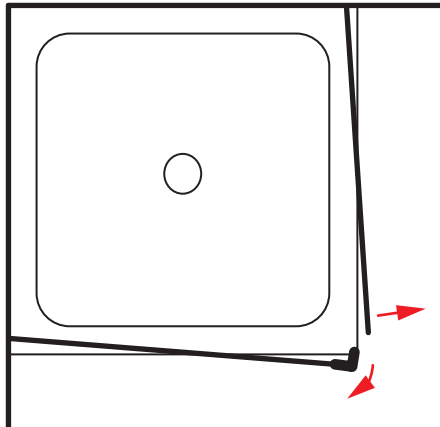


Step 1 - From the **INSIDE** of the shower mark carefully the position of the edge of the corner post in relation to the door frame, and the return panel frame.

Mark the edge at the top and bottom of the corner post.

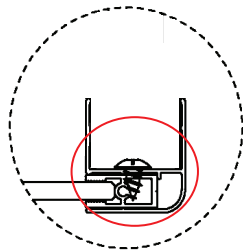
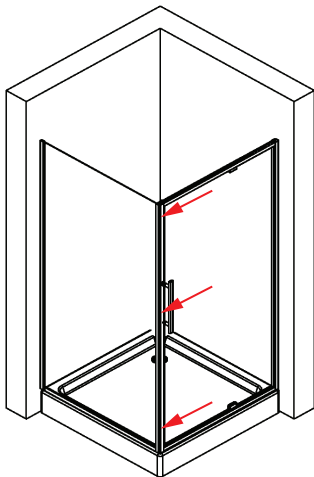
2

MARK HERE TOP AND BOTTOM



Step 2 - Whilst holding the top of the return panel and corner post, carefully push these outwards releasing the door panel from the corner post, then push the door panel outward so it is sitting with the outer edge of the door frame over the front edge of the tray.

3

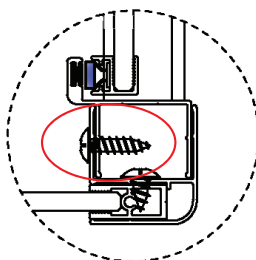
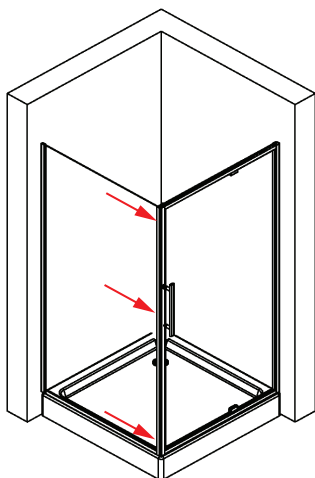


Step 3-

- Check that the corner post is still lined up to the marks you've made on the return panel extrusion.
- Drill through the **INSIDE** of the corner post and through the edge of the return panel extrusion.
- Install 3 x screws down the length of the corner post.

These screws **DO NOT** have cap retaining collars of caps fitted, as they are hidden from sight once assembly is complete.

4

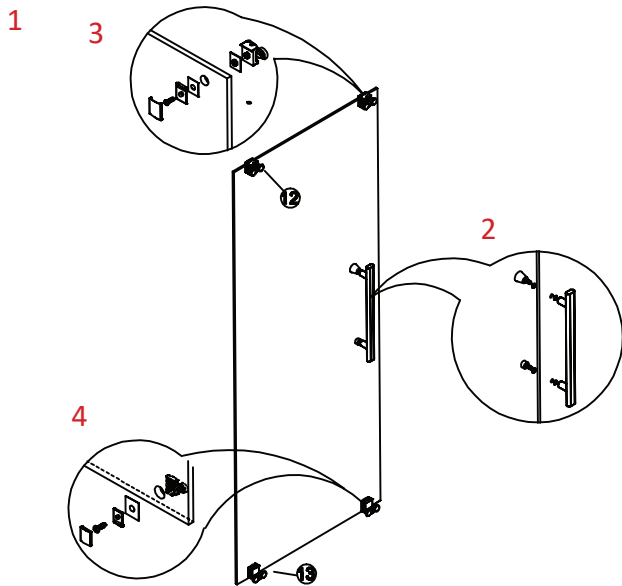


Step 4 -

- Push the return panel out so the outer edge is hanging over the tray.
- Gently ease the door frame back inside the shower tray, then fit the corner post back over the door frame.
- Check that the edge of the corner post lines up with the marks you made on the edge of the door frame.
- Drill 3 holes right through the **INSIDE** of the corner post and the inside of the door panel extrusion. Make the top and bottom holes approx 40mm from the outer edge, and then the third holes in the centre of the extrusion.
- Install the screws with dome retainers into the holes and fix tightly. Fit the screw domes.

10

Door assembly and installation



Step 1 -

Layout the door panel carefully so its orientation is the same as the door opening position required.

Step 2 -

Install the door handle onto the panel, taking care to ensure the larger tapered knob is at the top of the handle on the INSIDE of the shower

Step 3 -

Install the top rollers. The top rollers feature phillips head adjustment screws which when installed, should face downwards



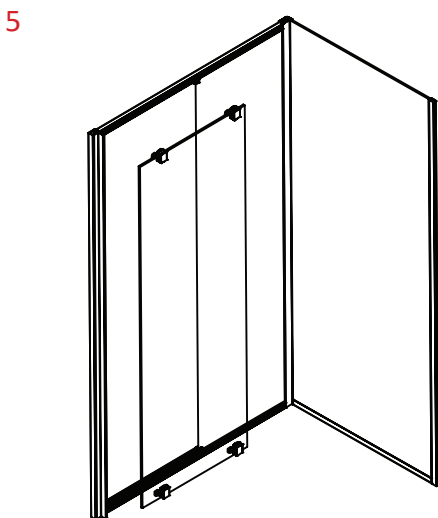
Adjustment screw

Step 4 -

Install the bottom rollers. The bottom rollers feature spring loaded roller bodies which when installed, should face upwards.



Button

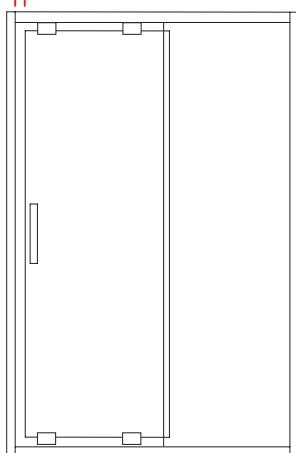


Step 5 -

Carefully lift the door panel into the shower, and hang the top rollers into the top track.

Carefully slide the door back, and go outside of the shower. Slide the door almost closed, and press the bottom roller buttons down to engage them into the bottom track.

6



Step 6 -

It is **critical to adjust the door** correctly within its frame. Please refer to the door adjustment guide on pages 12 and 13.

Not only must the rollers operate correctly, but the closing edge of the door must be parallel with the vertical extrusion of the door frame.

11

Door Adjustment

IMPORTANT - The illustrations below show a round door shower. The methods are identical to the illustrations, just with a single flat door panel.

How do the rollers work?

TOP ROLLER

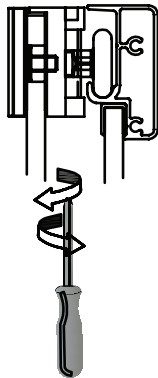
The top rollers have phillips head adjustment screws. These raise and lower the height on each side of the glass door panel. This allows adjustment overall of height, and adjustment of vertical alignment.

To **raise** the panel - turn clockwise

To **lower** the panel - turn anti clockwise.



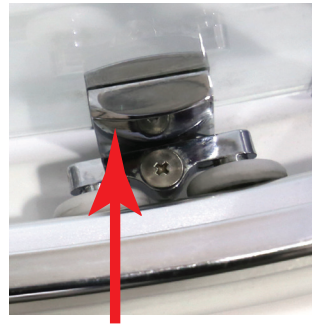
Adjustment screw



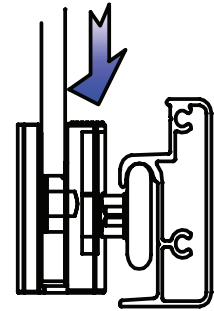
BOTTOM ROLLER

The bottom rollers have a flat surface on the chrome body. When this is pressed down, the sprung loaded roller will move downwards and disengage from the bottom framing.

The bottom rollers should be disengaged regularly to allow cleaning of the bottom framing and shower interior.



Button



Primary Adjustment



STEP 1 - DISENGAGE THE BOTTOM ROLLERS

Now you should have a glass door panel hanging off it's top rollers with the bottom rollers resting INSIDE of the bottom frame.

Check if the front face of both rollers are resting against the frame. If one roller is not touching the frame, adjust the corresponding TOP roller up or down until both rollers are resting against the INSIDE of the frame.

Repeat this procedure on the other door.

STEP 2 - TEST THE DOOR BOTTOM ROLLER RELEASE

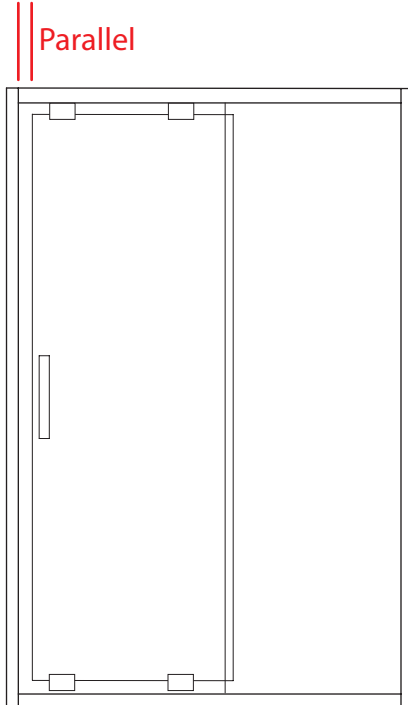
Check that the bottom rollers engage onto and release off the bottom track.

If they don't engage, then lower the door by adjusting both TOP rollers an equal amount of turns anti-clockwise to lower the height of the door panel.

Do this until the bottom rollers engage and disengage from the bottom frame comfortably.

Secondary Adjustment

1



STEP 1 - CHECK THE DOORS VERTICAL ALIGNMENT

By checking that the gap between the door panel and the INSIDE edge of the door frame. The door panel should meet the frame equally along inner edge of the door frame.

If the gap is not equal, carefully adjust the rollers so that they lift or lower each side of the door panel, until the gap is equal.

STEP 2 - FIT THE MAGNET SEAL

Fit the magnetic seal onto the closing edge of the door panel.

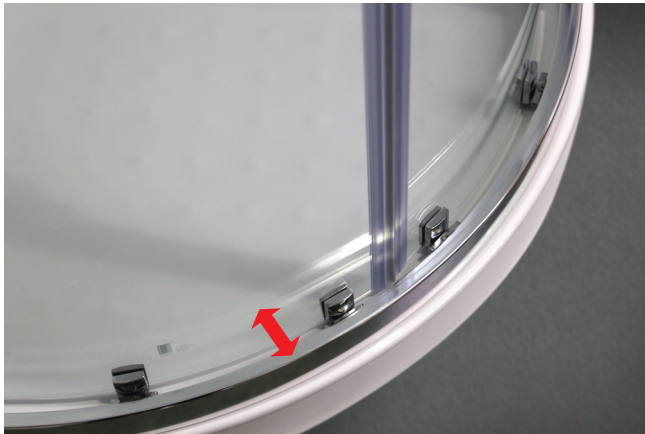
Re- check that magnetic seal meets the door frame equally from top to bottom.

STEP 3 - FIT THE WEATHER SEAL

Fit the weatherseal seal onto the trailing edge of the door panel.

Ensure the seal flap is pointing towards the outside of the shower, and towards small glass return panel.

4



Picture shows round shower, but principle is the same for flat sliding door panel.

STEP 4 - CHECK FOR MOVEMENT

Between the glass panel and the frame.

Move the door panel to the "just open" position.

Place your hand on the front of the glass panel above the bottom rollers.

Gently push the glass panel inward and check how much movement there is. There should be only 1-2mm movement normally.

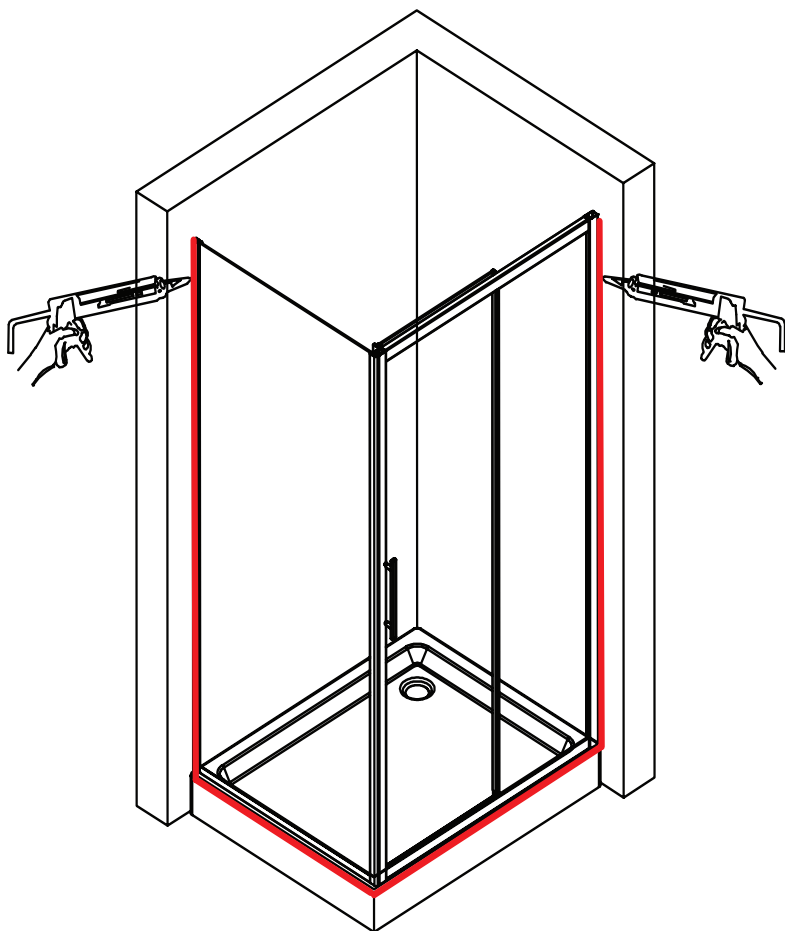
More than this means the bottom rollers are not high enough in the bottom frame, and the sliding action will not be smooth.

To reduce the amount of movement, adjust the top roller screws, equal amounts to lift the door panel height.

Check for movement again then test the sliding action of the door.

13 Installing sealant

1



Step 1 -

Apply a bead of Silicone to the OUTSIDE perimeter of the shower.

Apply a bead to the outside of the wall receivers where they meet the liner / wall surface.

Continue this bead down to the junction of the liner / receiver and tray.

Take care at this junction to ensure the corner joint is completely sealed on the outside. Repeat on the other wall receiver, then run a bead along the joint between the door frame and tray.

Trim and allow to dry for 24 hours.

WARNING -

Silicone sealant should only be applied to the OUTSIDE perimeter of the shower. Installing silicone inside the shower can cause blockage of water and leakage, and WILL cause mould build up. Your warranty WILL BE VOIDED.

14 Warranty

All bathroomware products supplied by Fibre Systems carry our Quality Assurance and Product Warranty. We use the highest quality materials available and manufacture these in accordance with New Zealand specifications and requirements to ensure that all products are fit for the intended purpose for which they are designed. Our customers peace of mind is of paramount importance to us.

Warranty Periods

Showers	10 years
Baths	10 years
Shower Screens and Doors	10 years
Black Coating on Framework	5 years

Warranty Exclusions

The product must be installed according to the instructions supplied.

The water supply temperature applied to the product must not exceed 55 degrees Celsius.

Commercial applications (where products are installed in a building where occupancy is via a commercial arrangement i.e. rental property, hotel, hostel etc.) are restricted to a 2 year warranty on all products.

15 Cleaning

Shower Wall

We use Durosan premium quality sanitaryware grade Acrylic. It is, by design very robust and chemical resistant. A soft damp cloth with non abrasive cleaners should be used. Use only non abrasive cleaners that are recommended for Acrylic products.

Shower Tray and Bath

We manufacture our Shower Trays and Baths using a Solid Acrylic Surface. Most other shower trays are manufactured using a veneer Acrylic surface. The great advantage is that small scratches can be removed easily by using fine cutting compound. Again the same basic cleaning methods as the wall are recommended.

Shower Doors and Glass

All glass is compliant to AS/NZS 2208. We suggest that the glass surfaces are wiped down or Squeegeed following use to remove excess water. For best results use a trusted glass cleaner.

Metal framework

Should be cleaned using a soft damp cloth with non abrasive cleaner. Note that on round Showers, the bottom rollers are easy release for ease of cleaning. If chemical spray cleaners are used, avoid direct contact with the rollers and guides and ensure the shower is rinsed off to avoid residue build up.

Weather seals and drip strips

Can be removed if required for cleaning, and can be replaced when they no longer look their best Refer to our spare parts and accessories section of this website for more details.

Note - If the Glass has been treated follow specific cleaning instructions from the system provider.

16 After sales service

We trust you have found this manual helpful during the installation of this product. However if you have any questions at all regarding your product, please feel free to contact us.

Fibre Systems Ltd
77 Cryers Road
East Tamaki
Phone 09-274-7423