



IMPORTANT - PLEASE RETAIN THIS DOCUMENT FOR WARRANTY REFERENCE. PLEASE ALSO ATTACH YOUR SALES RECEIPT FOR ANY FUTURE INQUIRIES

INSTALLATION GUIDE

Adjustable Pivot Door Only

1

Contents

Introduction	Page 3
Contents supplied	Page 4
Tools required / Safety warnings	Page 5
Installing wall receivers	Page 6
Frame installation	Page 7
Fixing door frame	Page 8
Handle and sealant installation	Page 9
Warranty, Cleaning and After sales service	Page 10

2 Introduction

Thank you for purchasing a Nouera Product. As a 100% New Zealand owned and operated company with over 34 years experience, we appreciate your support, and we're sure you will find this product of the highest quality.

This installation manual is designed to provide you as much assistance as possible during the installation process. If at any stage you encounter confusion, we invite you to contact us at your earliest convenience. One of our technicians will be more than happy to talk you through any questions you may have. Our contact details are on page 10 of this manual.

It is important to consider the implications not only of voided warranty, but also potential water leakage if installation is not carried out correctly. It's always better to be safe than sorry.

This product has been manufactured to meet all of our own quality assurance standards as well as those required by the New Zealand Building Code. The glass is manufactured to meet all requirements of AS/NZS2208 Safety Standard.

This product is also covered by our full 10 year "NO NONSENSE" warranty. The details of this warranty can be found on Page 10 of this manual.

Product Orientation

The images in this manual show an ALCOVE (3 sided) shower door installation. The images also show a LH FIXED door, which means that the fixed (non moving) glass panel is on the left hand side when looking directly at the shower.

The door is completely reversible from LH to RH fixed. Simply flip the door assembly over to change from LH to RH fixed etc. Please note the installation steps and practices are identical in every way, but if you are installing in a RH fixed orientation it will be a reflection of what is shown in the images in this manual.



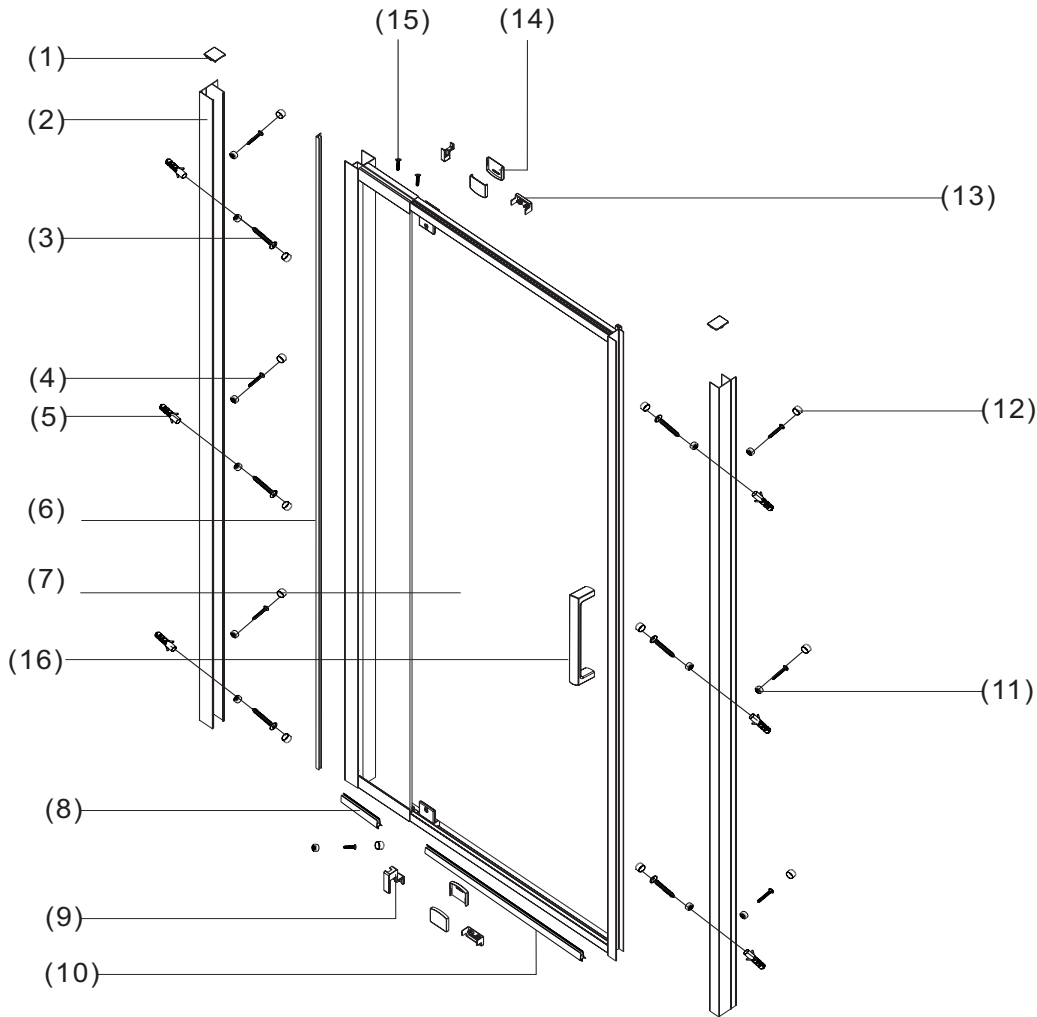
LEFT HAND FIXED



RIGHT HAND FIXED

3 Contents Supplied

Please ensure that all parts listed below are supplied prior to starting installation



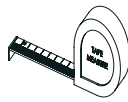
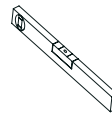

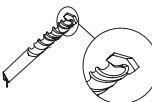
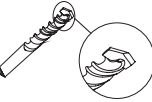
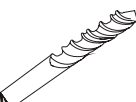
PARTS LIST

Part Number	Description (QTY)
1	Vertical Frame Cover Caps (2)
2	Wall Receivers (2)
3	Fixing Screws 4mmx30mm (6)
4	Fixing Screws 4mmx16mm (6)
5	Hollow Wall Anchors (6)
6	Vertical Weather Seal (1)
7	Glass Door Panel (1)
8	Bottom Seal A (1)

Part Number	Description (QTY)
9	Guide Rail Covers L+R (2)
10	Bottom Seal B (1)
11	Cover Cap Retaining Collars (13)
12	Fixing Screw Cover Caps (13)
13	Pivot Hinge Covers Small (2)
14	Pivot Hinge Covers Large (4)
15	Fixing Screws 4mmx10mm (3)
16	Door Handle (1)

4 Tools Required

	Flat head Screwdriver
	Phillips Screwdriver
	Marking Tool
	Drill
	Hammer

	Tape Measure
	Level
	Caulking Gun / Silicone
	6mm Tile Drill Bit (if wall surface is tiled and hollow wall anchors are installed)
	3mm Tile Drill Bit (if wall surface is tiled and solid timber mounting is available)
	3mm HSS Drill Bit

** We recommend the use of SIKA Sikasil NG Translucent Silicone

Safety / Warnings

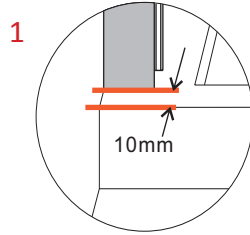
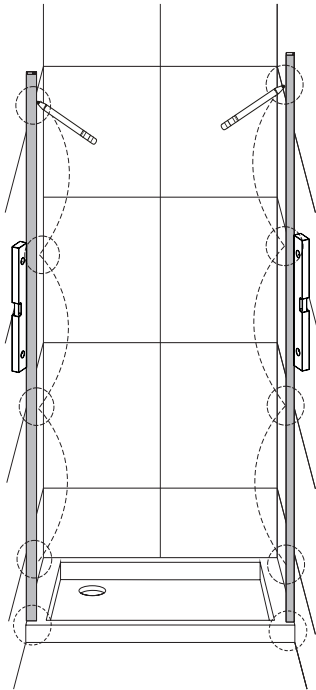
Warning - The glass panels of this product are made from high quality safety glass. The nature of safety glass means that it is highly impact resistant on its FACE (flat side). However, it is sensitive to impact on its edges. Take all possible steps to ensure the edges of the glass panels are protected from impact during installation.

Safety - Please take all possible steps to ensure that the correct Personal Protection Equipment is used, and that care is taken during the installation of this product.

5

Installing wall receivers

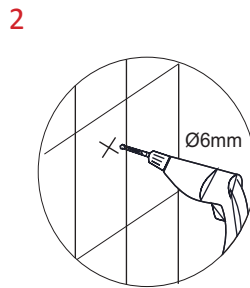
Before installing the wall receivers, the shower tray and wall liner must be installed in accordance with the separate instruction manual.



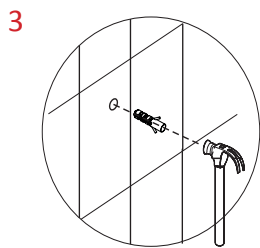
Step 1 - Measure and mark on the wall surface 10mm **INSIDE** of the outer edge of the tray. Repeat on the other side of the tray.

Place the wall receiver WITH ITS FLANGE LOCATED ON THE INSIDE OF THE SHOWER on this mark.

Ensure the wall receiver is vertically plumb using a

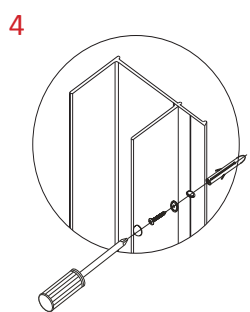


Step 2 - Drill 3mm pilot holes.



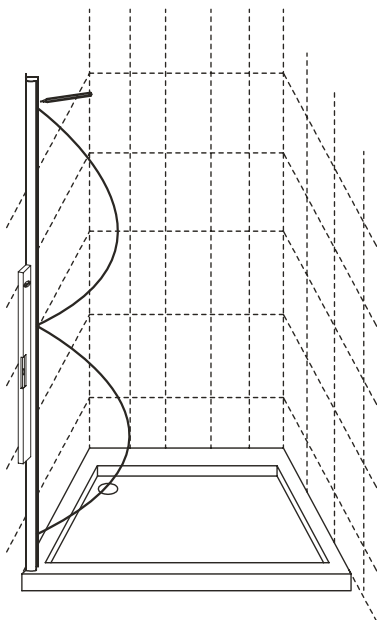
Step 3 - If the walls are hollow, drill a 6mm hole, and install the hollow wall anchors.

If you have solid timber fixings (preferable), drill a 3mm pilot hole through the wall surface.

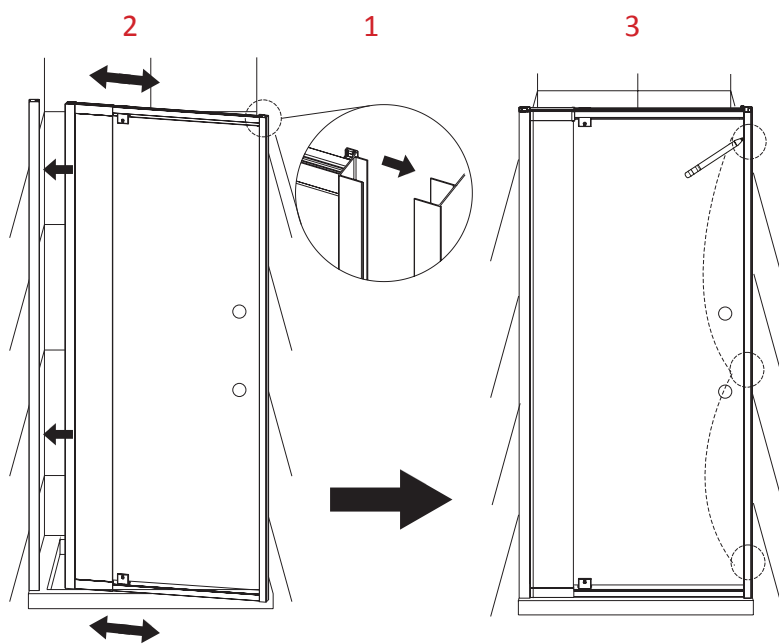


Step 4 - Install screws through wall receivers and into wall/ anchors. Run a small "eyebrow" bead of silicone onto the thread as you insert the screw.

CAUTION ONLY INSTALL 1 WALL RECEIVER AT THIS STAGE



6 Frame installation



Step 1 - Loosely install the second wall receiver to the door frame, ensure the **FLANGE IS LOCATED ON THE INSIDE OF THE SHOWER**

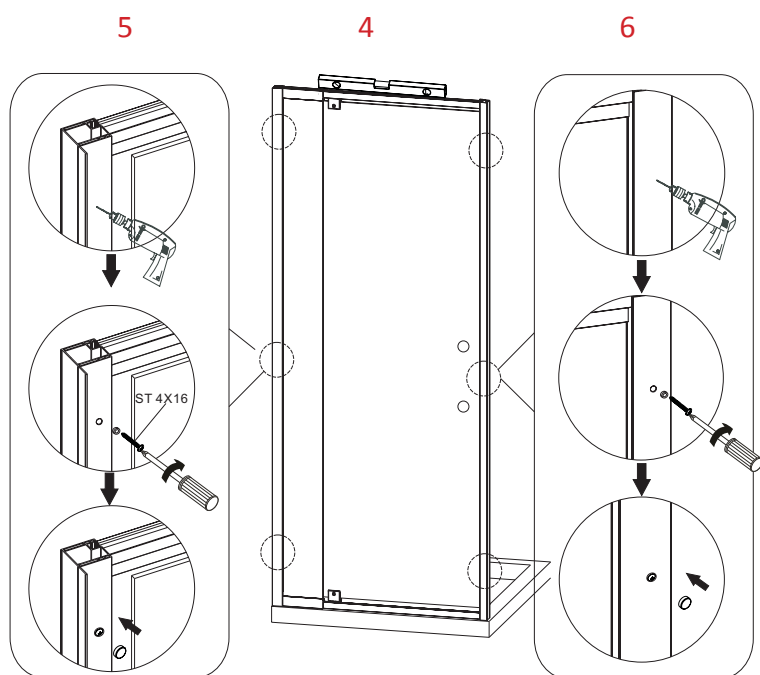
Step 2 - Lift the complete door frame and loosely fitted wall receiver onto the tray

Step 3 - Expand the frame so it fits tightly between the walls.

Measure and mark on the wall surface 10mm **INSIDE** of the outer edge of the tray. Repeat on the other side of the tray.

Place the wall receiver on this mark.

Ensure the wall receiver is vertically plumb using a level and mark hole positions on wall surface. Repeat the fixing process for the first wall receiver.



Step 4 - Using a level, check the top of the frame is level. Then ensure that the glass is square with the door frame both horizontally and vertically along the closing jam. If the glass and framework are not square, the glass can catch on the frame, and prohibit closing opening, and damage the glass or frame.

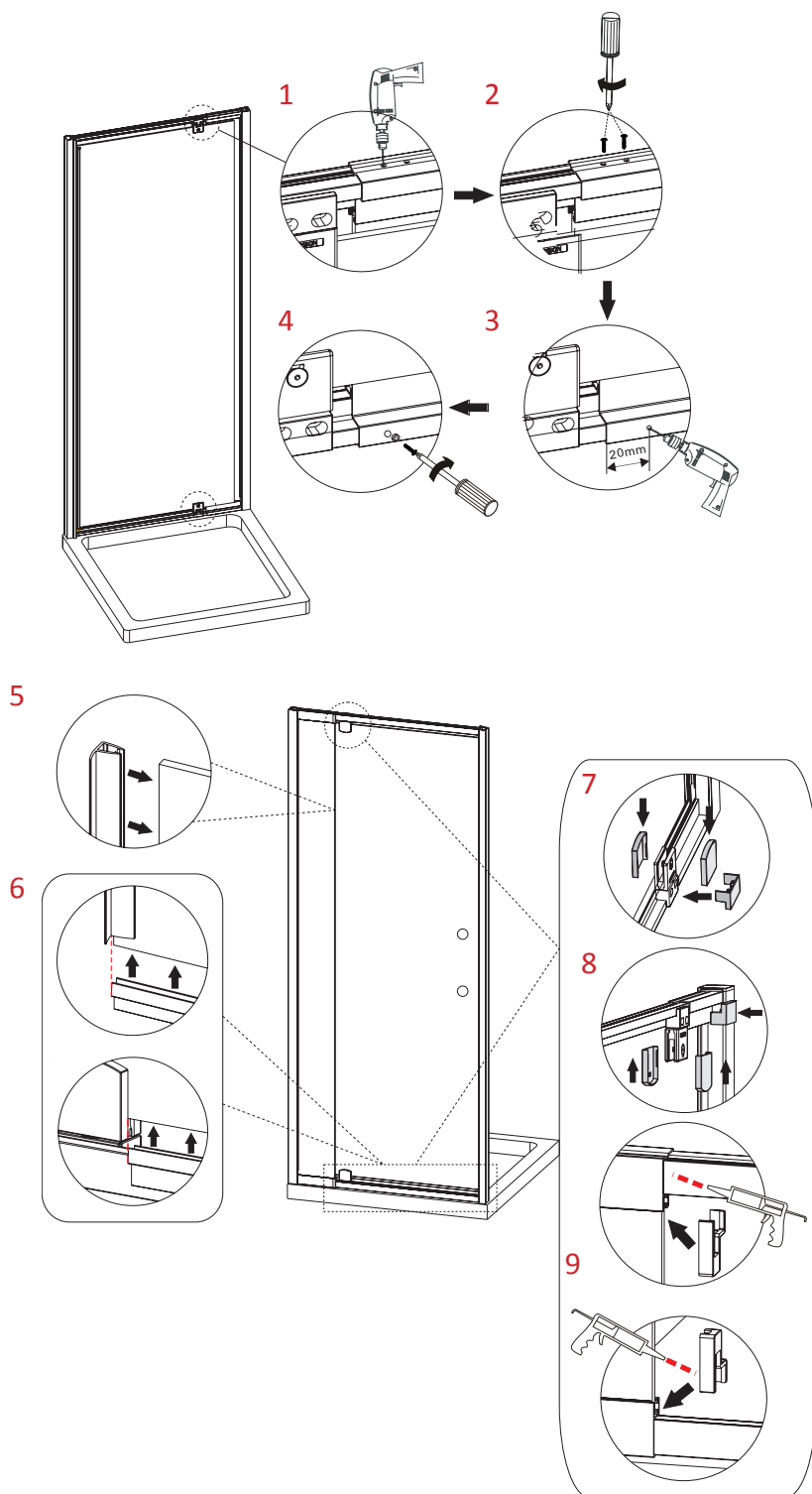
Step 5 - Working from the **INSIDE** of the shower. Drill 3 x 3mm holes through the wall receiver and into the door frame extrusion.

Install screws / cap retaining collars through wall receivers and into the wall anchors or wall. Run a small "eyebrow" bead of silicone onto the thread as you insert the screw.

Install the screw cover caps.

Step 6 - Working from the **INSIDE** of the shower. Repeat Step 5 on the other second wall receiver

7 Fixing door frame



Step 1 - Working from the **OUTSIDE** of the shower drill a 3mm hole down through the pre-drilled holes in the top frame, and through to inner frame.

Step 2 - Install 2 x 4mmx10mm into the holes.

Step 3 - Working from the **INSIDE** of the shower mark a position 20mm inside the edge bottom **OUTER** door frame , and drill 1 x 3mm hole through the outer and inner frame.

Step 4 - Install a 4 x 10mm screw, retaining collar, and cap into the hole.

Step 5 - Install the weatherseal to the fixed glass panel

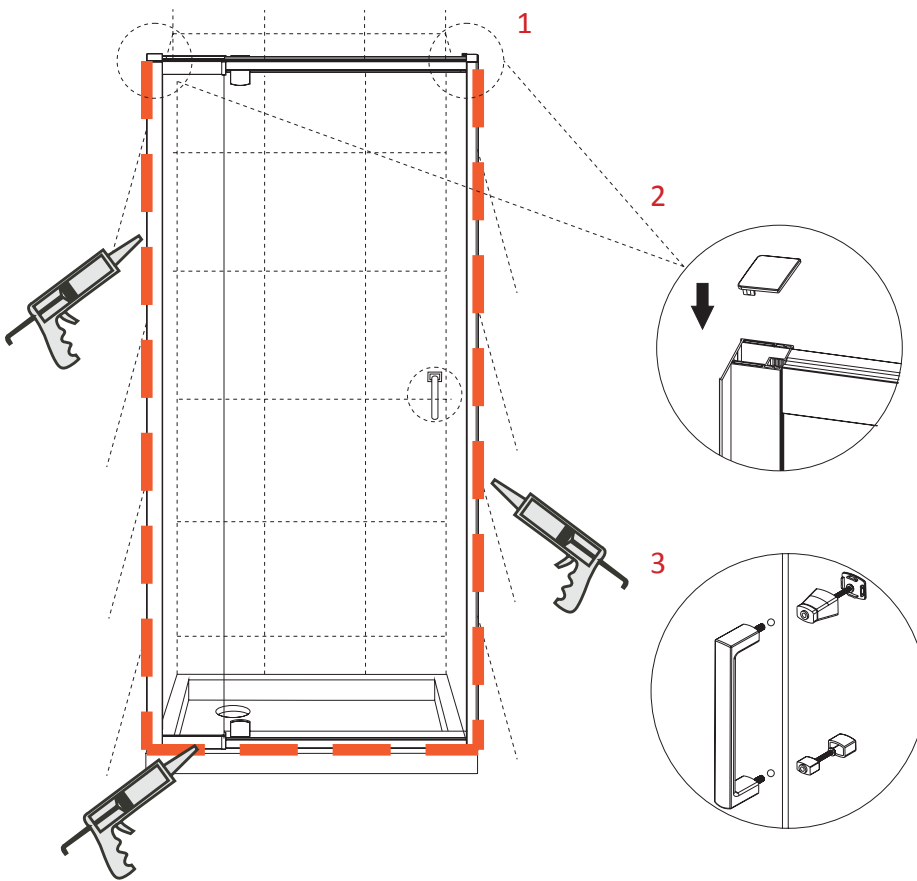
Step 6 - Install Bottom Seal A and B to the bottom of the door glass panel

Step 7 - Install the inner and outer cover caps to the top hinge pivots

Step 8 - Install the inner and outer cover caps to the bottom hinge pivots

Step 9 - On the top and bottom door frame, there is a joint between where the outer frame, and inner frame slide in and out. Install a small bead of silicone right around this joint, both internally and externally. Then install the cover caps over the silicone bead, and clean off any excess silicone thoroughly.

Handle and sealant installation



Step 1 -

Apply a bead of silicone to the OUTSIDE perimeter of the shower.

Apply a bead to the outside of the framework joints as shown.

Step 2 -

Push fit the top cappings into the top corners of the frame (x2)

Step 3 -

Install the handle onto the sliding glass panel. **Ensure that all clear silicone seals are in place prior to tightening the handle onto the glass.**

WARNING -

Silicone sealant should only be applied to the OUTSIDE perimeter of the shower. Installing silicone inside the shower can cause blockage of water and leakage, and WILL cause mould build up.

Your warranty WILL BE VOIDED.

9 Warranty

All bathroom ware products supplied by Nouera Shower Systems carry our Quality Assurance and Product Warranty. We use the highest quality materials available and manufacture these in accordance with New Zealand specifications and requirements to ensure that all products are fit for the intended purpose for which they are designed. Our customers peace of mind is of paramount importance to us.

Warranty Periods

Baths	10 years
Showers	10 years
Shower Screens and Doors	10 years

Warranty Exclusions

The product must be installed according to the instructions supplied.
The water supply temperature applied to the product must not exceed 55 degrees Celsius.
Commercial applications are restricted to a 2 year warranty on all products.

10 Cleaning

Shower Wall

We use Durosan premium quality sanitaryware grade Acrylic. It is, by design, very robust and chemical resistant. A soft damp cloth with non-abrasive cleaners should be used. Use only non-abrasive cleaners that are recommended for acrylic products.

Shower Tray and Bath

We manufacture our Shower Trays and Baths using a Solid Acrylic Surface. Most other shower trays are manufactured using a veneer acrylic surface. The great advantage is that small scratches can be removed easily by using fine cutting compound. Again the same basic cleaning methods as the wall are recommended.

Shower Doors and Glass

All glass is compliant to AS/NZS 2208. We suggest that the glass surfaces are wiped down or squeegeed following use to remove excess water. For best results use a trusted glass cleaner.

Metal Framework

Should be cleaned using a soft damp cloth with non-abrasive cleaner. Note that on round showers, the bottom rollers are easy release for ease of cleaning. If chemical spray cleaners are used, avoid direct contact with the rollers and guides and ensure the shower is rinsed off to avoid residue build up.

Weather Seals and Drip Strips

Can be removed if required for cleaning, and can be replaced when they no longer look their best. Refer to our spare parts and accessories section of this website for more details.

Note - If the Glass has been treated follow specific cleaning instructions from the system provider.

11 After sales service

We trust you have found this manual helpful during the installation of this product. However if you have any questions at all regarding your Nouera product, please feel free to contact us.

Phone 09-274-7423
Fibre Systems Ltd
20 Neilpark Ave
East Tamaki
Auckland