



**IMPORTANT** - PLEASE RETAIN THIS DOCUMENT FOR WARRANTY REFERENCE. PLEASE ALSO ATTACH YOUR SALES RECEIPT FOR ANY FUTURE INQUIRIES

## INSTALLATION GUIDE

### 3 Sided Alcove Pivot Door Set

# 1

# Contents

---

Introduction	Page 3
Contents supplied	Page 4
Tools required / safety warnings	Page 5
Installing wall receivers	Page 6
Pre - fitting door panel	Page 7
Installing seals and sealant	Page 8
Warranty / cleaning and after sales service	Page 9

---

## 2 Introduction

Thank you for purchasing a Fibre Systems product. As a 100% New Zealand owned and operated company with over 35 years experience, we appreciate your support, and we're sure you will find this product of the highest quality.

This installation manual is designed to provide you as much assistance as possible during the installation process. If at any stage you encounter confusion, we invite you to contact us at your earliest convenience. One of our technicians will be more than happy to talk you through any questions you may have. Our contact details are at the back page of this manual.

It is important to consider the implications of, not only a void warranty, but also potential water leakage if installation is not carried out correctly. It's always better to be safe than sorry.

This product has been manufactured to meet all of our quality assurance standards, and as required by the New Zealand Building code, our glass is manufactured to meet all requirements of AS / NZS 2208.

This product is also covered by our full 10 year "NO NONSENSE" warranty. The full details of this can be found on Page 9 of this manual.

## Product Orientation

This instruction document is designed for all square equal and unequal sided pivot door set installations. The images in this manual depict an equal sided shower. However, if you are installing an unequal sided shower, the steps and methods are the same.

All door sets are reversible, just flip the door over to suit the opening side required.



900x900x900



900x900x900

Doors are completely reversible



900x1200x900

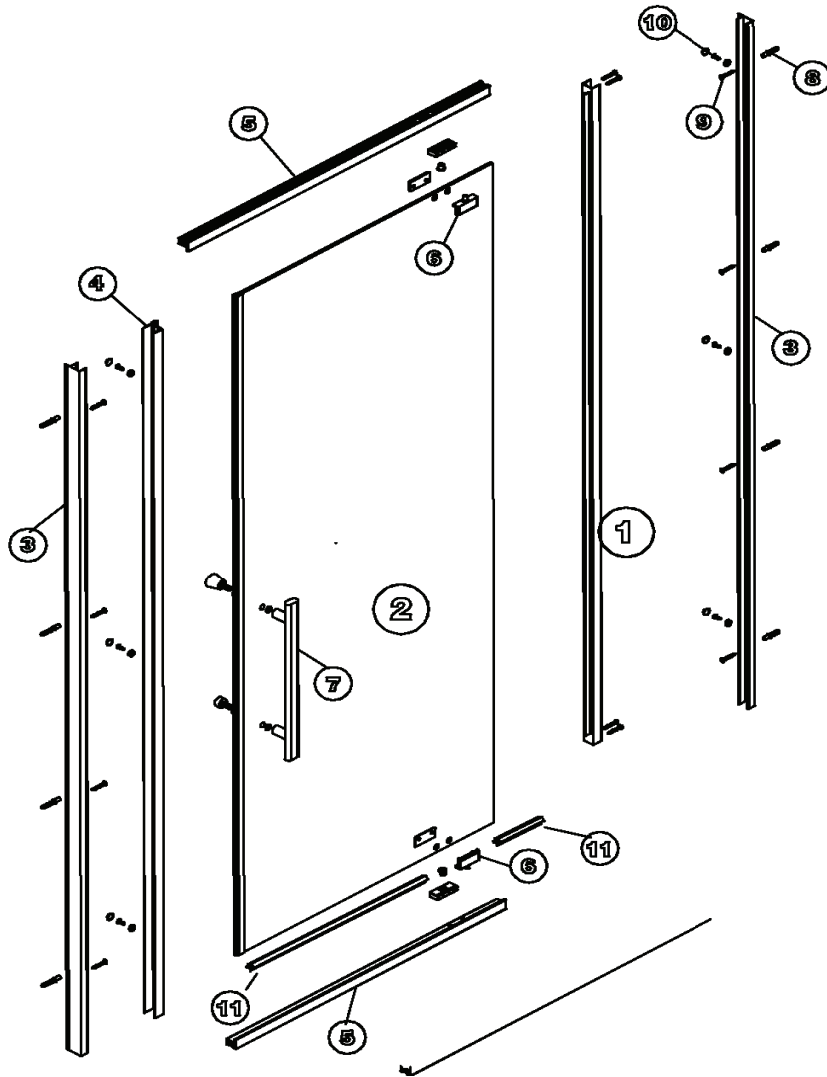


900x1200x900

Doors are completely reversible

# 3 Contents Supplied

Please ensure that all parts listed below are supplied prior to starting installation

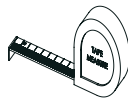
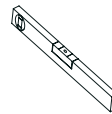

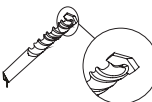
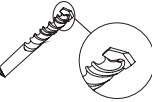
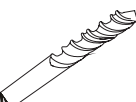


## PARTS LIST

Part Number	Description (QTY)
1	Vertical Door Extrusion (1)
2	Glass door panel (1)
3	Door Wall Receiver (1)
4	Vertical Door Extrusion (1)
5	Door Horizontal Extrusion (2)
6	Pivot Block (2)
7	Handle (1)
8+9	Screw ST4x30 + Wall Plug
10	Screw ST4x12mm with domes (12)
10	Door Drip Seal

## 4 Tools Required

	Flat head Screwdriver
	Phillips Screwdriver
	Marking Tool
	Drill
	Hammer

	Tape Measure
	Level
	Caulking Gun / Silicone
	6mm Tile Drill Bit (if wall surface is tiled and hollow wall anchors are installed)
	3mm Tile Drill Bit (if wall surface is tiled and solid timber mounting is available)
	3mm HSS Drill Bit

\*\* We recommend the use of SIKA Sikasil NG Arctic White Silicone

## Safety / Warnings

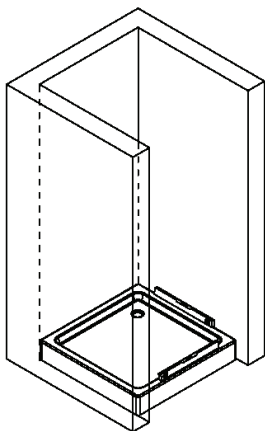
**Warning** - The Glass Panels of this product are made from high quality Safety Glass. The nature of Safety Glass means that it is highly impact resistant on its FACE (flat side). However, it is sensitive to impact on its edges. Take all possible steps to ensure the edges of the glass panels are protected from impact during installation.

**Safety** - Please take all possible steps to ensure that the correct Personal Protection Equipment is used, and that care is taken during the installation of this product.

# 5 Installing wall receivers

Before installing the wall receivers, the shower tray and wall liner must be installed in accordance with the separate instruction manual.

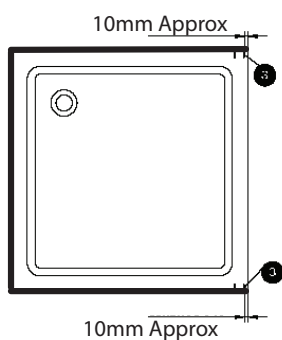
1



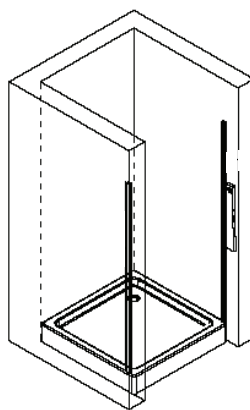
**Step 1** - Using a level, ensure the tray is level along all 4 edges prior to channel installation.

**IMPORTANT** - If you are installing the doorset onto a **TILED WALL** and an **ACRYLIC TRAY**, the **floor AND wall** channels should be installed to the wall substrate **PRIOR TO TILING**.

2



3



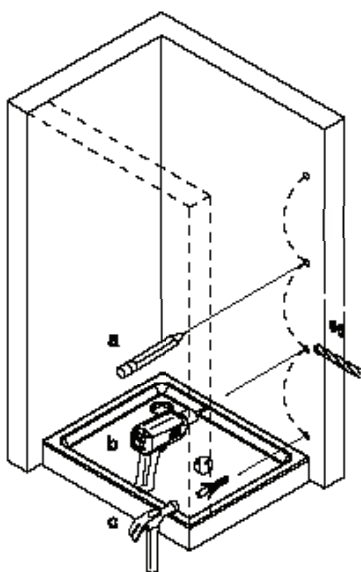
**Step 2**- Place the wall receiver channels onto the wall and ensure the end of the receiver is touching the tray or floor substrate. Position the wall receivers approx 10mm **INSIDE** of the outer edge of the tray. **USING A LEVEL ENSURE THE WALL RECEIVERS ARE VERTICALLY PLUMB** - Failure to do this will make the door close unevenly and could cause damage to the frame or glass panel.

Mark the position of the wall receivers, and the fixing holes.

4

**Step 3** - Drill 3mm pilot holes.

5



**Step 4** -If the walls are hollow, drill a 6mm hole, and install the hollow wall anchors.

If you have solid timber fixings (preferable), drill a 3mm pilot hole through the wall surface.

**Step 5 - ON ONE RECEIVER** Install screws through wall receivers and into wall anchors. Run a small "eyebrow" of silicone onto the thread as you insert the screw.

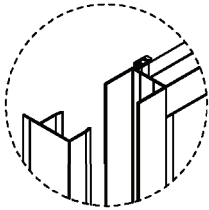
**The Second receiver is fitted as a unit with the door.**

# 6

## Pre-fitting door panel

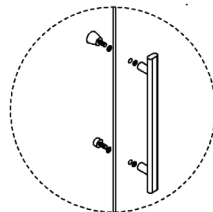
**WARNING** - Take care when lifting and installing the glass panels. These panels are safety glass, which is very strong on its face, but its edges are highly sensitive to impact. It is recommended to wear safety glasses, and also use glazing suction tools when lifting and placing the glass into the channels.

1



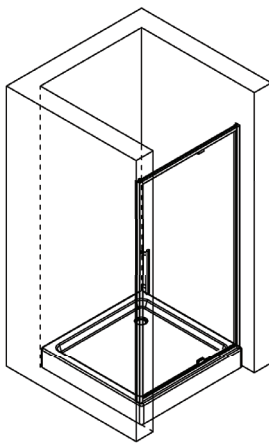
**Step 1** - Loosely slide the uninstalled wall receiver onto the door frame.

2



**Step 2** - Fit the Door handle to the glass panel.

3



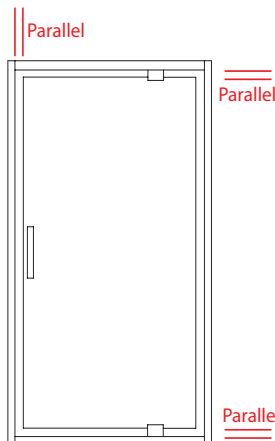
**Step 3** - Lift the door frame with the wall receiver onto the shower tray.

Gently slide the frame into the wall receiver installed to the wall.

Open the door and from the inside of the shower fit the loose wall receiver to the wall with the fixing screws.

Once fitted the door frame should be held in place with both wall receivers and there should be side-to-side movement to allow for adjustment as per step 4.

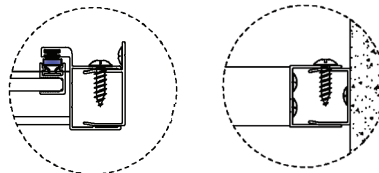
4



**Step 4** - Working from the inside, the door frame can be adjusted from side to side. When the door frame is moved the door will move within the frame. **IT IS CRITICAL to adjust the door within the frame so it is horizontally plumb with the frame (as per diagram).**

**Failure to adjust the door parallel with the frame will cause damage to the door panel and bottom seal.**

5



**Step 5** - Working from the inside drill pilot holes for the fixing screws at the top and bottom of the wall receivers (leave the centre screws until step 6). Fit 4 x ST4x12 screws and dome retainer collars.

6

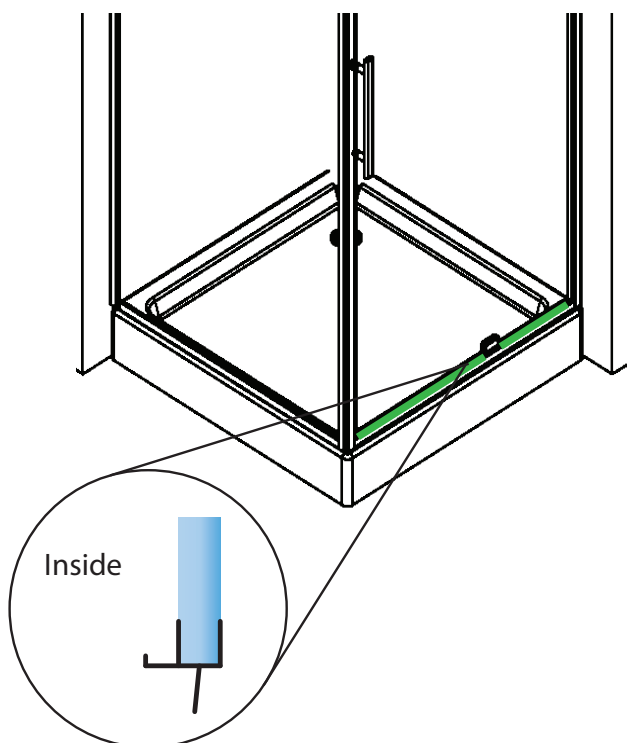
**Step 6** - Vertical frame adjustment

The door frame's vertical extrusions are flexible, and can be adjusted carefully to ensure the gap between the closing edge of the door and the frame is equal. Adjust the gap, then from the inside drill and fit the remaining 2 x screws into the wall receivers.

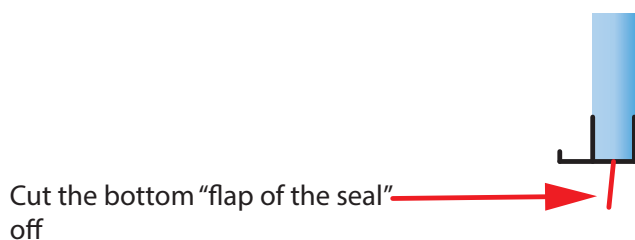
# 8

## Installing seals and sealant

1



Trimming the Seal



### Step 1 -

Fit the 2 piece bottom door seal onto the bottom of the glass door panel.

Ensure the gutter is on the INSIDE of the shower, and the seal is fitted tightly to the glass.

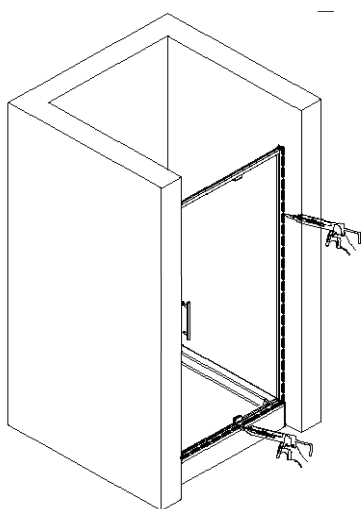
**ADJUSTMENT** - If the seal binds with the bottom of the door frame when the door is opened, then the bottom flap of the **seal is not required**.

The seal can be removed from the door panel. Carefully use a sharp knife to remove the "flap" along the entire length of the seal.

The gap between the door and the framing and the gutter will be sufficient to stop any water exiting this area without the flap in place.

If after removing this flap binding still occurs - the door requires adjustment. To do this you will need to removed the fixing screws between the wall receivers and frame, as per Page 7 #6

2



### Step 2 -

Apply a bead of Silicone to the OUTSIDE perimeter of the shower.

Apply a bead to the outside of the wall receivers where they meet the liner / wall surface.

Continue this bead down to the junction of the liner / receiver and tray.

Take care at this junction to ensure the corner joint is completely sealed on the outside. Repeat on the other wall receiver, then run a bead around along the joint between the door frame and tray. Trim and allow to dry for 24 hours.

### WARNING -

Silicone sealant should only be applied to the OUTSIDE perimeter of the shower. Installing silicone inside the shower can cause blockage of water and leakage, and WILL cause mould build up. Your warranty WILL BE VOID.



## 9 Warranty

All bathroomware products supplied by Fibre Systems carry our Quality Assurance and Product Warranty. We use the highest quality materials available and manufacture these in accordance with New Zealand specifications and requirements to ensure that all products are fit for the intended purpose for which they are designed. Our customers peace of mind is of paramount importance to us.

### Warranty Periods

Showers	10 years
Baths	10 years
Shower Screens and Doors	10 years
Black Coating on Framework	5 years

### Warranty Exclusions

The product must be installed according to the instructions supplied.

The water supply temperature applied to the product must not exceed 55 degrees Celsius.

Commercial applications (where products are installed in a building where occupancy is via a commercial arrangement i.e. rental property, hotel, hostel etc.) are restricted to a 2 year warranty on all products.

## 10 Cleaning

### Shower Wall

We use Durosan premium quality sanitaryware grade Acrylic. It is, by design very robust and chemical resistant.

A soft damp cloth with non abrasive cleaners should be used. Use only non abrasive cleaners that are recommended for Acrylic products.

### Shower Tray and Bath

We manufacture our Shower Trays and Baths using a Solid Acrylic Surface. Most other shower trays are manufactured using a veneer Acrylic surface. The great advantage is that small scratches can be removed easily by using fine cutting compound. Again the same basic cleaning methods as the wall are recommended.

### Shower Doors and Glass

All glass is compliant to AS/NZS 2208. We suggest that the glass surfaces are wiped down or Squeegeed following use to remove excess water. For best results use a trusted glass cleaner.

### Metal framework

Should be cleaned using a soft damp cloth with non abrasive cleaner. Note that on round Showers, the bottom rollers are easy release for ease of cleaning. If chemical spray cleaners are used, avoid direct contact with the rollers and guides and ensure the shower is rinsed off to avoid residue build up.

### Weather seals and drip strips

Can be removed if required for cleaning, and can be replaced when they no longer look their best Refer to our spare parts and accessories section of this website for more details.

**Note - If the Glass has been treated follow specific cleaning instructions from the system provider.**

## 11 After sales service

We trust you have found this manual helpful during the installation of this product. However if you have any questions at all regarding your product, please feel free to contact us.

Fibre Systems Ltd

77 Cryers Road

East Tamaki

Phone 09-274-7423