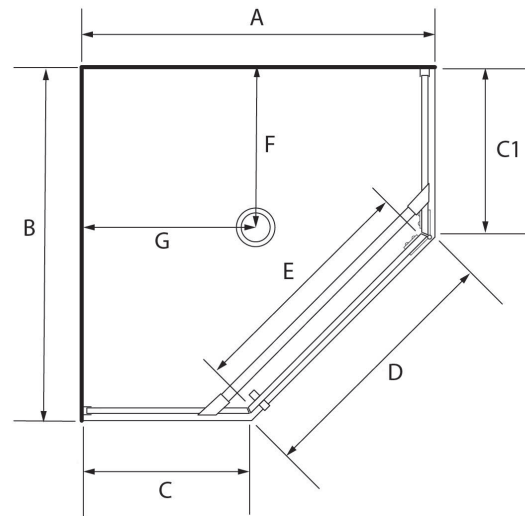


LUXURY FRAMELESS PIVOT DOOR ANGLE SHOWERS



Pictured - 1000 x 1000 Silva



DESCRIPTION

The Luxury frameless pivot door angle corner range of showers can be purchased as a complete shower cubicle including Acrylic Tray, Wall Liner and Door Pack.

The Door Pack and Tray can also be purchased as individual items for installation on a tiled floor and/or tiled wall.

SEE TILE SHOWER LAYOUT FOR SETOUT DIMENSIONS

The door is reversible - and closes to the glass return.

FEATURES

- Frameless design but fully watertight seals on door
- Total OVERALL height 2060mm
- 2000mm high glass
- Silva or Black extrusions and hardware
- Low profile tray with 40mm upstand
- 8mm Safety Glass
- Door closes to glass return
- Minimalistic extrusion allows adjustment to wall and floor
- No silicone joints required for glass

LEGEND

Dimension	Description	Size	
		900 x 900	1000 x 1000
A	Tray External Length Dimension	900mm	1000mm
B	Tray External Width Dimension	900mm	1000mm
C	Return Panel Dimension	405mm	470mm
C1	Hinged Panel Dimension	405mm	470mm
D	Door Panel Dimension	615mm	728mm
E	Door Opening Dimension	615mm	728mm
F	Centre Waste Position (length)	390mm	430mm
G	Centre Waste Position (width)	390mm	430mm

ORDERING CODES

PRODUCT DESCRIPTION	SKU CODE	
	900 x 900	1000 x 1000
Complete Cubicle SILVA	353302	353304
Complete Cubicle BLACK	353303	353305
Tray Only Centre Waste	TFS9X9ANGCW	TFS1000ANGCW
Liner Only 2000mm High Flat Wall	LB9X9FW2S2M	LB1X1FW2S2M
Door/Return Pack SILVA	DFA900SI2M	DFA1000SI2M
Door/Return Pack BLACK	DFA900BLK2M	DFA1000BLK2M

WARRANTY INFORMATION

All bathroomware products supplied by Fibre Systems carry our Quality Assurance and Product Warranty. We use the highest quality materials available and manufacture these in accordance with New Zealand specifications and requirements to ensure that all products are fit for the intended purpose for which they are designed. Our customer's peace of mind is of paramount importance to us.

Warranty Periods

Baths	10 years
Showers	10 years
Shower Screens and Doors	10 years
Silva and White Coatings	10 years
E-Line + Squareline + Dezine Showers	5 years
Black Coatings	5 years
Aquaknight Easy Clean Wastes	7 years
Accessories	2 years



Warranty Exclusions

The product must be installed according to the instructions supplied.
 The water supply temperature applied to the product must not exceed 55 degrees Celsius.
 All cleaning and cleaning products must be in accordance with our cleaning instructions and guidance.
 Commercial Applications (where products are installed in a building where occupancy is via a commercial arrangement i.e. a rental property, hotel, hostel etc) are restricted to a 2 year warranty on all products.

CLEANING AND MAINTENANCE

Please refer to our cleaning instructions document for guidance, available on our website