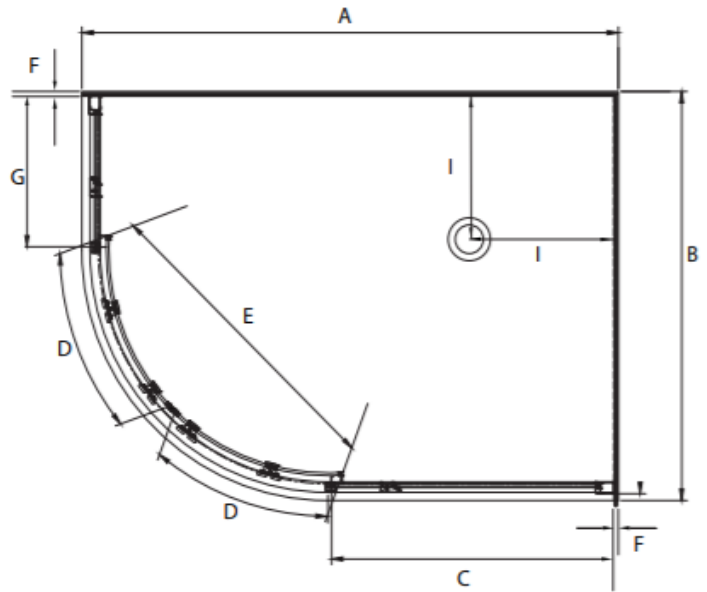


E-LINE ROUND UNEQUAL SIDED SHOWERS



Pictured Above - E-LINE 12x8 LH Round Corner
SKU 248465



DESCRIPTION

The E-Line Unequal Sided range of Round Showers can be brought as a complete Shower cubicle including Acrylic Tray, Wall Liner and Door pack.

The Door Pack and Tray can also be brought as individual items for installation on a tiled floor and/or wall.

FEATURES

- Low profile tray with 40mm upstand
- 1900mm high glass
- Total OVERALL height 1970mm
- Quick release rollers for easy cleaning
- Magnetic strip on closing edges of doors
- Doors 6mm AS/NZS2208 Safety Glass
- White Frame

LEGEND

Dimension	Description	Shower Size	
		12 x 8 LH	12 x 8 RH
A	Tray External Length	1200mm	1200mm
B	Tray External Width	800mm	800mm
C	Large Glass Return Panel	640mm	640mm
D	Door Panel Width	410mm	410mm
E	Door Opening Width	450mm	450mm
F	Gib and Liner thickness +/- 1.5mm	12.5mm	12.5mm
G	Small Glass Return Panel	200mm	200mm
I	Corner Waste Position	250mm	250mm

ORDERING CODES

Description	Shower Size
	12 x 8
Complete Cubicle Silva Flat Wall LH	248465
Complete Cubicle Silva Flat Wall RH	248466
Tray Only Corner Waste White LH	TFR12X8LHCNR
Tray Only Corner Waste White RH	TFR12X8RHCNR
Liner Only Flat Wall 1900mm High White	LBSLEL12X8FW2S19
Round Door Pack Complete 1900mm High Silva	DER12X8WH19

WARRANTY INFORMATION

We use the highest quality materials available and manufacture these in accordance with New Zealand specifications and requirements to ensure that all products are fit for the intended purpose for which they are designed. Our customers peace of mind is of paramount importance to us.

Warranty Periods

Showers 5 years
Shower Screens and Doors 5 years

Warranty Exclusions

The product must be installed according to the instructions supplied.
The water supply temperature applied to the product must not exceed 55 degrees Celsius.
Commercial applications are restricted to a 1 year warranty on all products.



CLEANING AND MAINTENANCE

Bathroom products are used often and the following is our suggestion on how to clean and care for them.

Shower Wall

We use Durosan premium quality sanitaryware grade Acrylic. It is, by design, very robust and chemical resistant. A soft damp cloth with non-abrasive cleaners should be used. Use only non-abrasive cleaners that are recommended for acrylic products.

Shower Tray and Bath

We manufacture our Shower Trays and Baths using a Solid Acrylic Surface. Most other shower trays are manufactured using a veneer acrylic surface. The great advantage is that small scratches can be removed easily by using fine cutting compound. Again, the same basic cleaning methods as the wall are recommended.

Shower Doors and Glass

All glass is compliant to AS/NZS 2208. We suggest that the glass surfaces are wiped down or squeegeed following use to remove excess water. For best results use a trusted glass cleaner.

Metal Framework

Should be cleaned using a soft damp cloth with non-abrasive cleaner. Note that on round showers, the bottom rollers are easy release for ease of cleaning. If chemical spray cleaners are used, avoid direct contact with the rollers and guides and ensure the shower is rinsed off to avoid residue build up.

Weather Seals and Drip Strips

Can be removed if required for cleaning, and can be replaced when they no longer look their best. Refer to the spare parts and accessories section of our website for more details.

Note - If the Glass has been treated follow specific cleaning instructions from the system provider.