

SHOWER CUBICLE CONFIGURATION GUIDE

Why Are Nouera Showers Left or Right Hand sided ?

When we describe a Shower as Left Handed or Right Handed, firstly we **ARE NOT** describing which way the door opens, or which side the door is on. In fact, we are not referring to anything related to the DOOR at all . We are specifically describing how the Tray and Liner will be positioned in the bathroom.

Unlike other trays, our showers have 40mm high Upstands moulded onto the sides which are positioned against the wall linings .

As below.

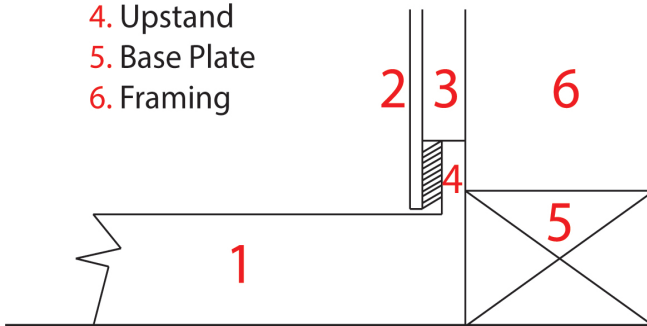


Here is the 40mm high Upstand which is installed hard against the timber framework of the wall. The GIB Board installs down to the top of this, and the Liner is installed over the Upstand and sealed to prevent water entering the walls

Here is front edge of the Tray. This is seen when the installation is complete. The flat "Hob" area is where the glass sits on when installed.

Correct Installation Side Veiw

1. Tray
2. Acrylic Liner
3. Gib Board
4. Upstand
5. Base Plate
6. Framing



Pictured Left, is a drawing depicting the correct installtion method of a tray in a standard GIB Board Lined Wall.

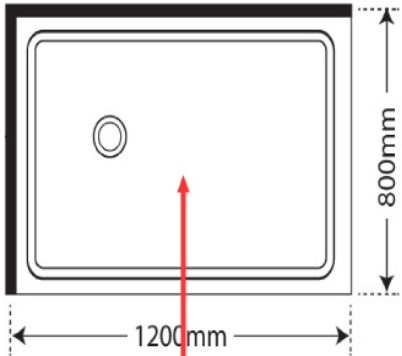
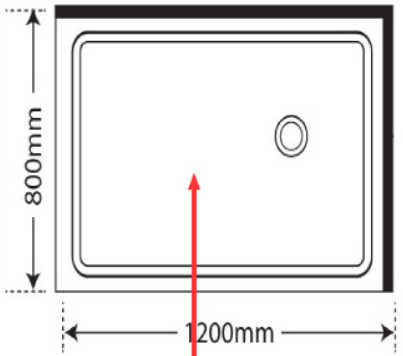


The small diagonal lines between the liner, and upstand represent silicone sealant.

SHOWER CUBICLE CONFIGURATION GUIDE

How to Correctly identify the correct configuration of your shower

When you are standing looking directly at the LONGEST WALL of the Shower LINER, what side is the SHORTEST WALL of the wall LINER going to be on, your right hand, or left hand side ?

From a birds eye view, imagine you standing and looking in direction marked with arrow

<p>LH</p>  <p>Wall (Gib Board)</p> <p>800mm</p> <p>1200mm</p>	<p>RH</p>  <p>Wall (Gib Board)</p> <p>800mm</p> <p>1200mm</p>
<p>When You're looking directly at the longest Wall of the Wall Lining (1200mm) the short Wall lining is to your LEFT . This is a LH Sided Shower Cubicle</p>	<p>When You're looking directly at the longest Wall of the Wall Lining (1200mm) the short Wall lining is to your RIGHT . This is a RH Sided Shower Cubicle</p>
<p>LH</p>  <p>Looking in the direction of the arrow, the longest side of liner is directly in front of you, and the shortest side of the liner is to our Left Hand side. This is a LH Orientated Tray</p>	<p>RH</p>  <p>Looking in the direction of the arrow, the longest side of liner is directly in front of you, and the shortest side of the liner is to our Right Hand side. This is a RH Orientated Tray</p>