

INSTALLATION GUIDE Stacker Return Panel Only

To Be used in conjunction with stacker door install guide

1

Contents

Introduction	Page 3
Contents supplied	Page 4
Tools Required / Safety warnings	Page 5
Installing wall receivers	Page 6
Fixing wall receiver and corner post	Page 7
Fixing caps and selaing	Page 8
Warranty / Cleaning and aftersales service	Page 9

2 Introduction

This manual is designed to be used in conjunction with the stacker door ALCOVE installation manual. It is important to note that as a glass Return panel is being fitted one wall extrusion from the Stacker door package is discarded and instead the corner post is installed onto the stacker door frame at the junction between the door and this panel.

Product Orientation

The images in this manual show a 2 sided door installation. The images show a LH FIXED door, and a return panel installed on the Right Hand side of the shower.

Please note that these images are depictions only, and the return panel can be fitted on either the right or left hand side of the shower.

Additionally the door is completely reversible from LH to RH fixed. Please note the installation steps and practices are identical in every way, but if you are installing in a RH fixed orientation will be a reflection of what's shown in the images in this manual.



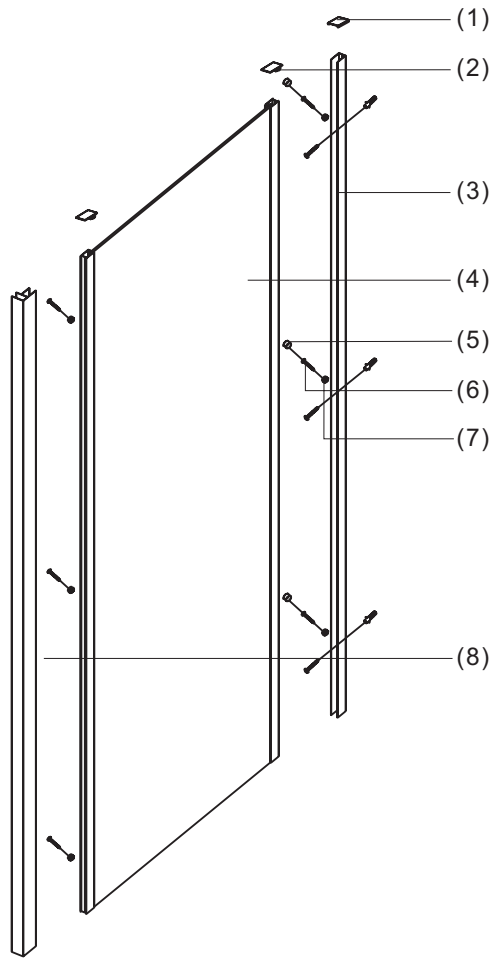
LH FIXED DOOR RH RETURN
PANEL



RH FIXED DOOR LH RETURN
PANEL

3 Contents Supplied

Please ensure that all parts listed below are supplied prior to starting installation



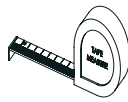
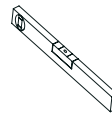

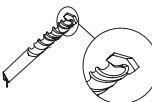
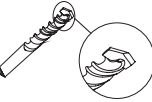
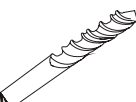
PARTS LIST

Part Number	Description (QTY)
1	Vertical frame cover caps (2)
2	Wall receiver cover caps (2)
3	Wall receiver (1)
4	Fixed glass panel (1)
5	Fixing screw cover caps (6)
6	Fixing screws 4mmx10mm (6)
7	Cover cap retaining collars (6)
8	Corner post (1)

** Hollow wall anchors and fixing screws are supplied with stacker door pack

4 Tools Required

	Flat head Screwdriver
	Phillips Screwdriver
	Marking Tool
	Drill
	Hammer

	Tape Measure
	Level
	Caulking Gun / Silicone
	6mm Tile Drill Bit (if wall surface is tiled and hollow wall anchors are installed)
	3mm Tile Drill Bit (if wall surface is tiled and solid timber mounting is available)
	3mm HSS Drill Bit

** We Reccomend the use SIKA Sikasil NG Transluscent Silicone

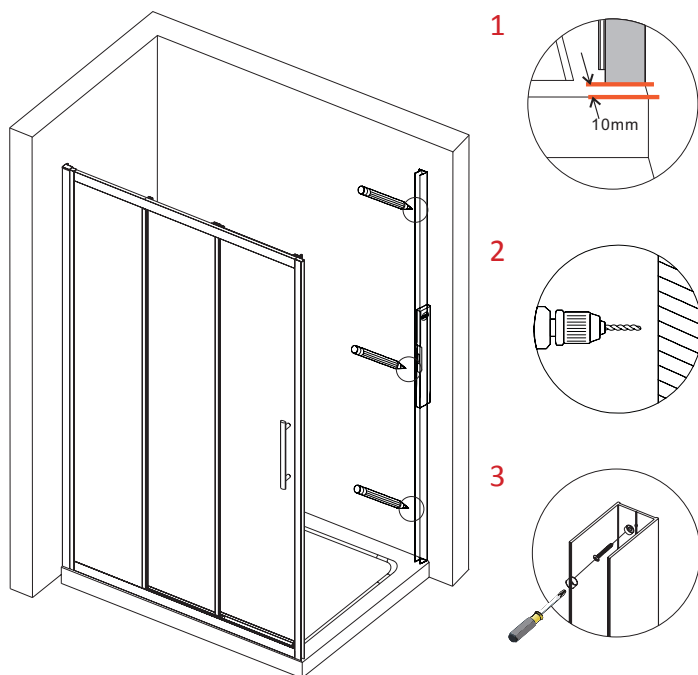
Safety / Warnings

Warning - The glass panels of this product are made from high quality safety glass. The nature of safety glass means that it is highly impact resistant on its FACE (flat side). However, it is sensitive to impact on its edges. Take all possible steps to ensure the edges of the glass panels are protected from impact during installation.

Safety - Please take all possible steps to ensure that the correct Personal Protection Equipment is used, and that is taken during the installation of this product.

5 Installing wall receiver

Before installing the wall receivers the shower tray and wall liner must be installed in accordance with the separate instruction manual.

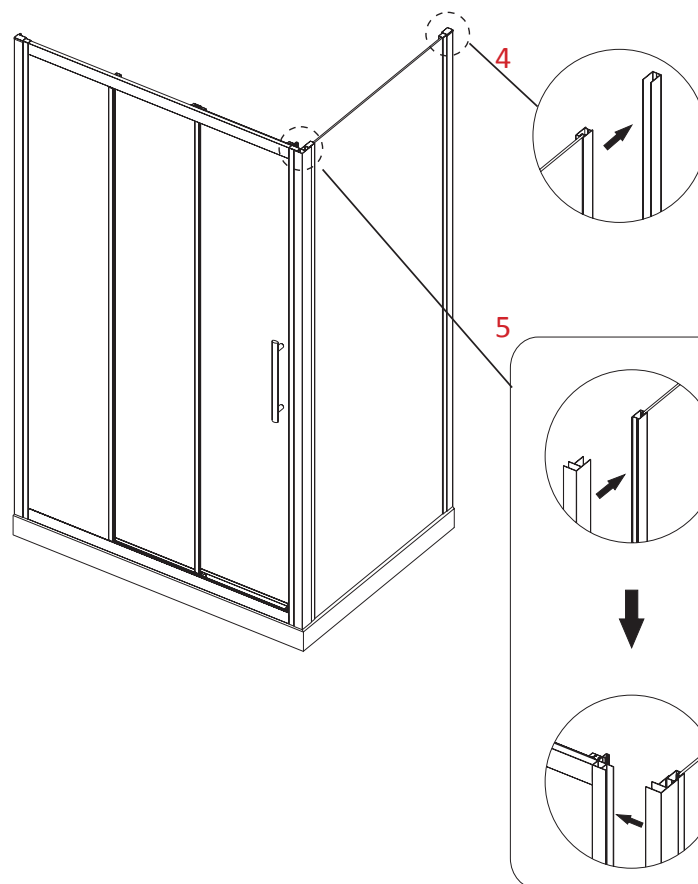


Step 1 - Measure and mark on the wall surface 10mm **INSIDE** of the outer edge of the tray. Both sides of the tray.
Place the wall receiver on this mark.
Ensure the wall receiver is vertically plumb with a level, and mark hole positions on wall surface.

Step 2 - Drill 3mm Pilot holes.

Step 3 - If the walls are hollow, drill a 6mm hole, and install the hollow wall anchors.

If you have solid timber fixings (preferable), drill a 3mm pilot hole through the wall surface.
Fix the wall receiver to the wall linings.



Step 4 - Install the return panel INTO the wall receiver. Leave this LOOSELY fitted.

Step 5 - LOOSELY fit the corner post over the Return panel, then slide the corner post and return panel over the door frame vertical extrusion.

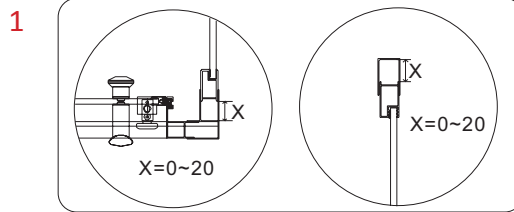
Ensure the following -

The return panel and door are parallel to the outer edges of the tray.

The Corner post is vertically plumb and aligned with the wall receivers on both the door and return panel side.

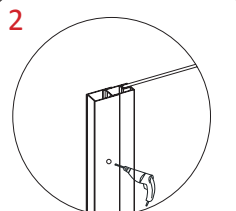
6

Fixing corner post and receiver

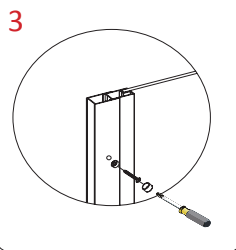


Step 1 - The corner post and wall receivers have inner adjustment. As shown, adjust these so the return panel and door are parallel to the outer edges of the tray.

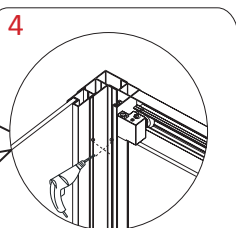
Using a level ensure -
The corner post is vertically plumb, and aligned with the wall receivers on both the door and return.



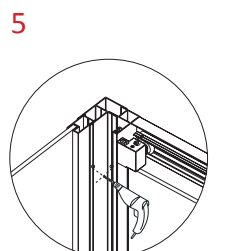
Step 2 - Drill 3 x 3mm holes down the length of the wall receiver. Drill through the Return Panel frame and through the inside of the wall receiver.



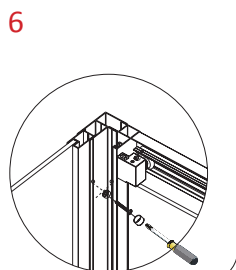
Step 3 - Install the screw retaining collar onto the 4x12mm (x6) screws.
Install the screws into the 3mm holes.
Install the cover caps.



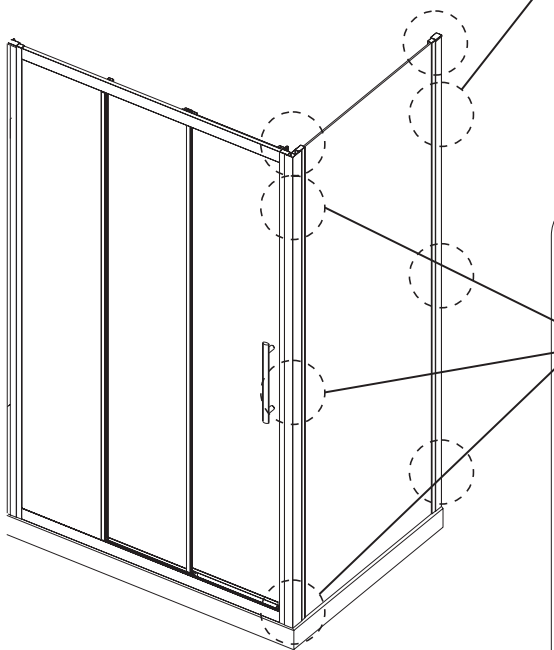
Step 4 - Working from the INSIDE of the shower. Mark and drill 3 x 3mm holes down the length corner post on the DOOR frame side. Drill through the post and into the frame.



Step 4 - Working from the INSIDE of the shower. Mark and drill 3 x 3mm holes down the length corner post on the RETURN frame side. Drill through the post and into the frame.

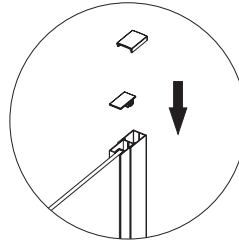
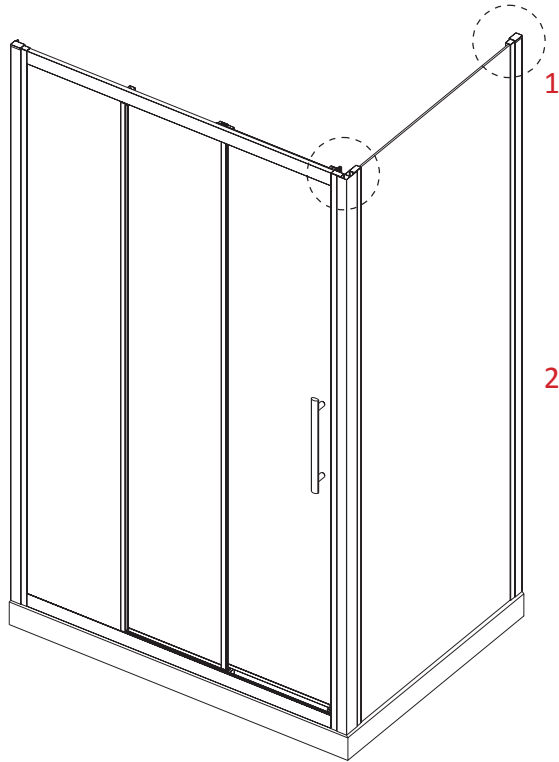


Step 6 - Working from the INSIDE of the shower. Install the screw retaining collars onto the 4x12mm (x6) screws.
Install the screws into the 3mm holes.
Install the cover caps.

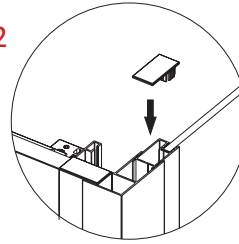


7

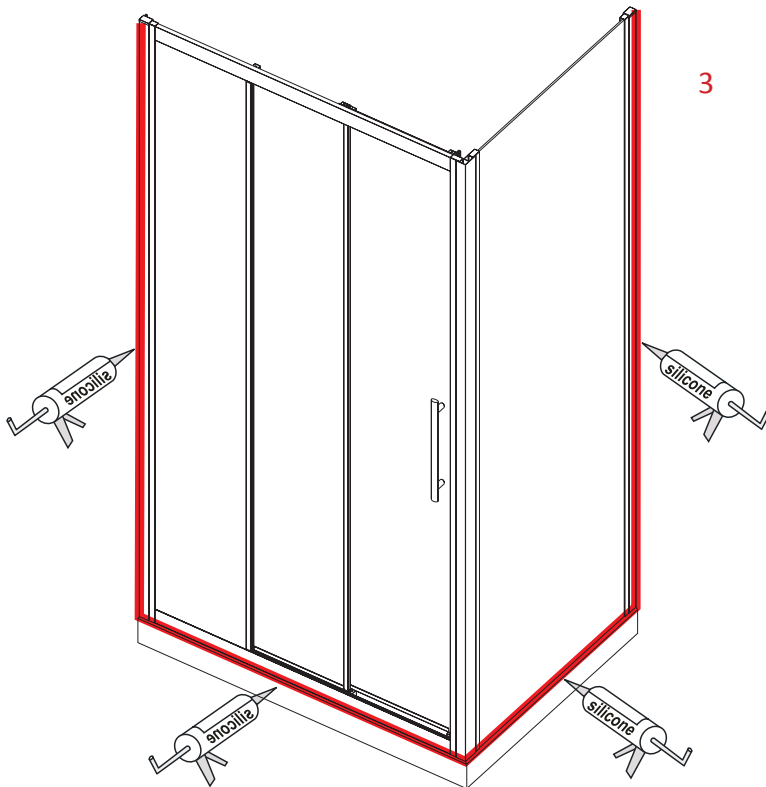
Fixing caps and sealing



Step 1 -
Push fit the top cappings into the top corner of the frame (x2)



Step 2 -
Push fit the top cappings into the top of the corner post (x2)



Step 3 -
Apply a bead of Silicone to the OUTSIDE perimeter of the shower.

WARNING -
Silicone Sealant should only be applied to the OUTSIDE perimeter of the shower.
Installing silicone inside the shower can cause blockage of water and leakage, and WILL cause mould build up.
Your warranty WILL BE VOIDED.

8 Warranty,

All bathroom ware products supplied by Nouera Shower systems carry our Quality Assurance and Product Warranty. We use the highest quality materials available and manufacture these in accordance with New Zealand specifications and requirements to ensure that all products are fit for the intended purpose for which they are designed. Our customers Peace of Mind is of paramount importance to us.

Warranty Periods

Baths	10 years
Showers	10 years
Shower Screens and Doors	10 years
Black Coated Framing and Components	5 years

Warranty Exclusions

The product must be installed according to the instructions supplied.
The water supply temperature applied to the product must not exceed 55 degrees Celsius.
Commercial Applications are restricted to a 2 year warranty on all products."

9 Cleaning

Shower Wall

We use Durosan premium quality sanitaryware grade Acrylic. It is, by design very robust and chemical resistant. A soft damp cloth with non abrasive cleaners should be used. Use only non abrasive cleaners that are recommended for Acrylic products.

Shower Tray and Bath

We manufacture our Shower Trays and Baths using a Solid Acrylic Surface. Most other shower trays are manufactured using a veneer Acrylic surface. The great advantage is that small scratches can be removed easily by using fine cutting compound. Again the same basic cleaning methods as the wall are recommended.

Shower Doors and Glass

All glass is compliant to AS/NZS 2208. We suggest that the glass surfaces are wiped down or Squeegeed following use to remove excess water. For best results use a trusted glass cleaner.

Metal framework

Should be cleaned using a soft damp cloth with non abrasive cleaner. Note that on round Showers, the bottom rollers are easy release for ease of cleaning. If chemical spray cleaners are used, avoid direct contact with the rollers and guides and ensure the shower is rinsed off to avoid residue build up.

Weather seals and drip strips

Can be removed if required for cleaning, and can be replaced when they no longer look their best Refer to our spare parts and accessories section of this website for more details.

Note - If the Glass has been treated follow specific cleaning instructions from the system provider.

10 Aftersales service

We trust you have found this manual helpful during the installation of this product. However if you have any questions at all regarding your Nouera product, please feel free to contact us.

Phone 09-274-7423

Fibre Systems Ltd

20 Neilpark Ave

East Tamaki

Auckland