

# 1

# Contents

---

**TO USE THIS MANUAL CORRECTLY** - First refer to the section specific to your type of installation. Once this has been thoroughly read and understood, move to Page 9 for the generic installation guide.

Introduction	Page 3
Tools Required / Safety Warnings	Page 4
Installation Overview - <b>2 Sided with Acrylic Walls</b>	Page 5
Installation Overview - <b>3 Sided with Acrylic Walls</b>	Page 6
Installation Overview - <b>2 Sided with Tiled Walls</b>	Page 7
Installation Overview - <b>3 Sided with Tiled Walls</b>	Page 8
Tray Installation - Preparation	Page 9
Fixing the Tray	Page 10
Installing Wall Linings	Page 11
Warranty / Cleaning and after sales service	Page 12

## 2 Introduction

---

Thank you for purchasing a Fibre Systems Product. As a 100% New Zealand owned and operated company with over 34 years experience, we appreciate your support, and we're sure you will find this product of the highest quality.

This installation manual is designed to provide you with as much assistance as possible during the installation process. If at any stage you encounter any issues or confusion, we invite you to contact us at your earliest convenience. One of our technicians will be more than happy to talk you through any questions you may have. Our contact details are on the back page of this manual.

It is important to consider the implication of not only of a voided warranty but also potential water leakage if installation is not carried out correctly. It is always better to be safe than sorry.

This product has been manufactured to meet all of our quality assurance standards. The Shower Tray is constructed of multiple layers of high quality material.

This product is also covered by our full 10 year "NO NONSENSE" warranty. The full details can be found on Page 12 of this manual.

## 3 Product Orientation

---

The images in this manual show an equal length 2 sided shower tray installation.

This installation manual is designed for both our 2 sided showers and our alcove shower trays. The same installation methods also apply to all shower sizes i.e. 900 x 900mm, 1000 x 1000mm, and also for our UNEQUAL sided showers i.e. 1200 x 900mm and 1200 x 800mm.

Here are just a few examples of the shower tray names, definitions and sizes for reference.



928 x 928mm  
Equal Length  
2 Sided  
Round Corner





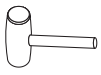
1200 x 800mm  
Left Hand  
Unequal Length  
2 Sided


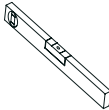



1000 x 1200 x 1000mm  
Unequal Length  
Alcove/3 Sided

# 4

## Tools Required

	Marking Tool
	Drill
	Hammer

	Tape Measure
	Level
	Caulking Gun / Silicone

\*\* We recommend the use SIKA SIKASIL NG Arctic White Silicone and SIKA SHOWERBOND

## Safety / Warnings

**Warning** - The Glass Panels of this product are made from high quality Safety Glass.

The nature of Safety Glass means that it is highly impact resistant on its FACE (flat side). However, it is sensitive to impact on its edges. Take all possible steps to ensure the edges of the glass panels are protected from impact during installation.

**Safety** - Please take all possible steps to ensure that the correct Personal Protection Equipment is used and that care is taken during the installation of this product.

# 5

## Installation Overview 2 Sided Tray with Acrylic Wall Liner

### Tray Position to Wall Linings

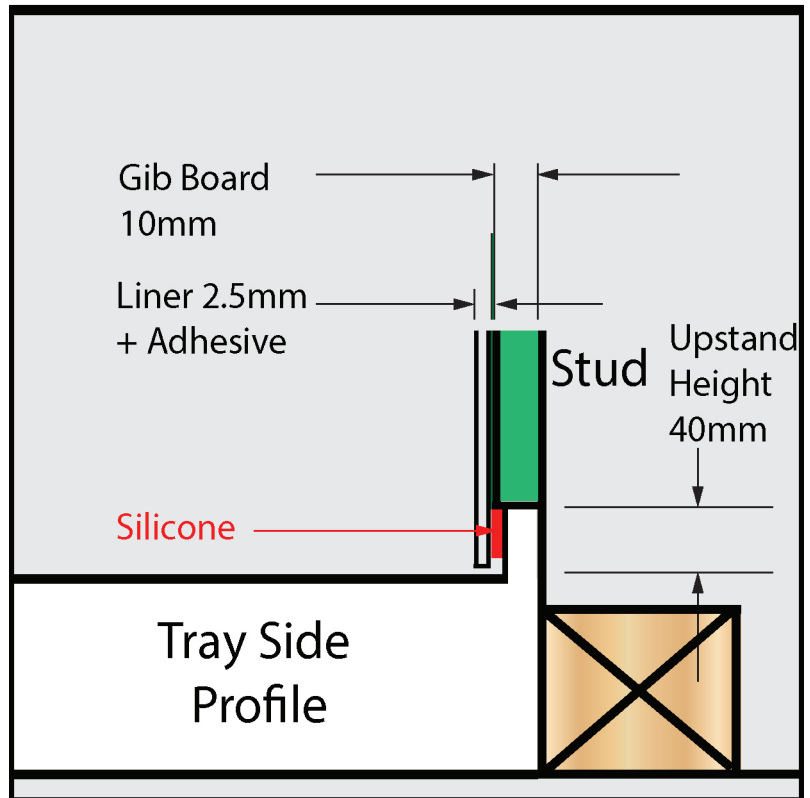
Prior to starting the installation of the shower tray, it is important to understand the correct installation methods to provide a leak free joint between the wall linings and the tray.

Please refer to the diagram on the right and below description -

- A. The tray is installed hard up to the framing base plates and studs.
- B. The internal plumbing is installed and wall linings are installed over the studs and DOWN to the TOP of the Upstand.
- C. Silicone is applied on the Upstand and the acrylic liner is installed over the wall lining material - most commonly AQUAGIB board. This is shown to the right.

It is very important to ensure the tray fits hard up to the framework, all the way along the tray edge. This will ensure the GIB board will overhang the Upstand equally along the tray. A minimum overhang of 3mm is ESSENTIAL to allow enough silicone to be applied between the Upstand and liner.

See below for details on correct silicone application.



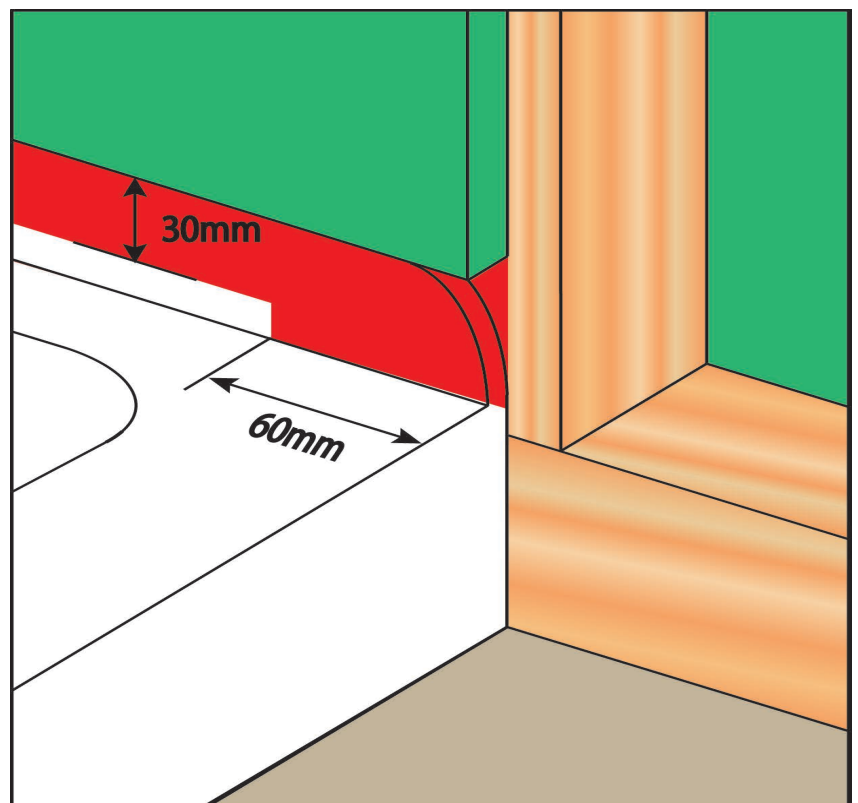
### Silicone Joint on Upstand

Incorrect silicone application to the Upstand area is the most common cause of leakage both into the adjacent internal wall cavity, and also from external corners.

**It is critical to apply the silicone seal on the upstand correctly. Failure to do this will VOID ALL WARRANTY.**

To correctly apply silicone joint -

- A. Apply a bead of silicone all the way along the joint between the wall board and the top of the Upstand.
- B. Apply another bead, or multiple beads, at least 30mm down from the top of the Upstand.
- C. Apply silicone ALL the way to the bottom of the Upstand approx 60mm back from each outside edge of the Upstand. Allow this silicone to go past the external corner of the Upstand and fill the void to the studs. This prevents water tracking up under the liner and outwards into the internal wall at the edge of the tray.



# 6

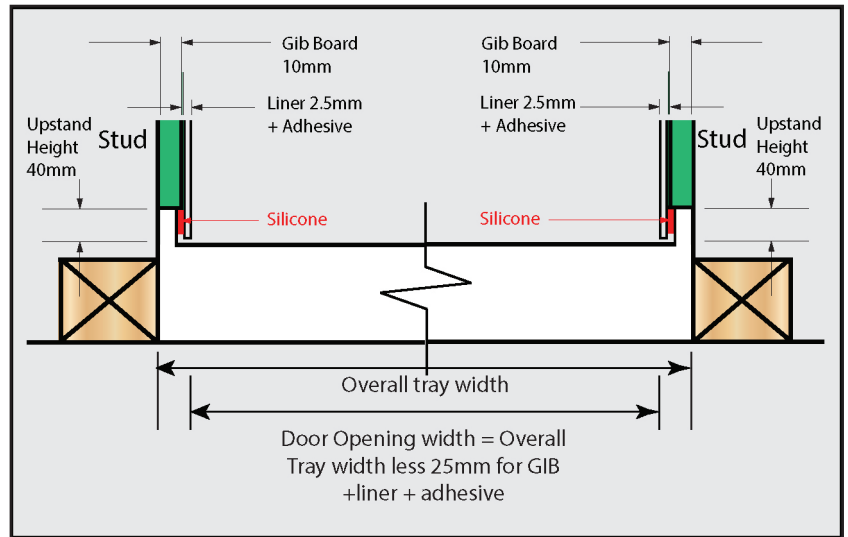
## Installation Overview 3 Sided Tray with Acrylic Wall Liner

### Tray Position to Wall Linings

There needs to be special consideration to measurements of framing and wall linings when installing Alcove shower trays to ensure a satisfactory fit of wall liners and door systems.

Due to the fact an Alcove shower has 3 Upstands, special attention is required when building or renovating an existing Alcove frame.

- A. It is essential to ensure the tray to frame fit is perfect, and that all walls will allow for equal overhang of GIB board over the Upstand.
- B. It is also very important to ensure all wall framing is vertically plumb, and also all the walls are at Right Angles to each other.
- C. It is also very important to understand the relationship between tray size and door opening size. The diagram to the right provides an overview of this.

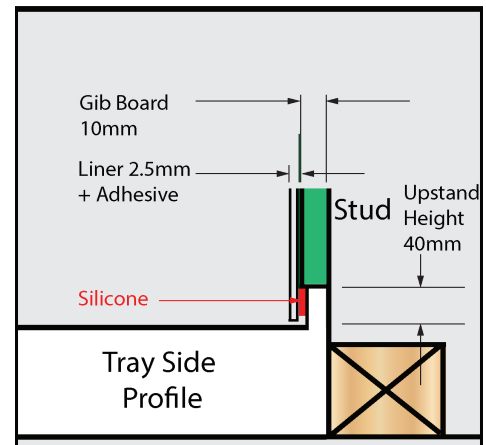


### Silicone Joint on Upstands

Please refer to the diagram on the right and as follows:

- A. The tray is installed hard up to the framing base plates and studs.
- B. The internal plumbing is installed and wall linings are installed over the studs and DOWN to the TOP of the Upstand.
- C. Silicone is applied on the Upstand and the acrylic liner is installed over the wall lining material - most commonly Aqualine style wall board. See below for details on correct silicone application.

It is very important to ensure the tray fits square to the framework, and that the GIB board will overhang the Upstand equally along the tray. An minimum overhang of 3mm is ESSENTIAL to allow enough silicone to be applied between the Upstand and liner.



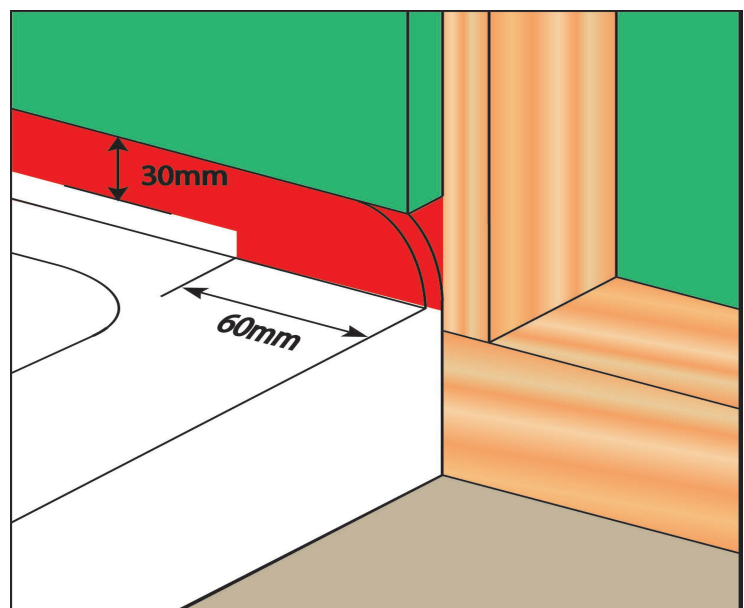
### Silicone joint on Upstands

Incorrect silicone application to the Upstand area is the most common cause of leakage both into the adjacent internal wall cavity and also from external corners.

**It is critical to apply the silicone seal on the Upstand correctly. Failure to do this will VOID ALL WARRANTY.**

To correctly apply silicone joint -

- A. Apply a bead of silicone all the way along the joint between the GIB board and the top of the Upstand.
- B. Apply another bead, or multiple beads, at least 30mm down from the top of the top of the Upstand.
- C. Apply silicone ALL the way to the bottom of the Upstand approx 60mm back from each OUTSIDE edges of the Upstand. Allow this silicone to go past the external corner of the Upstand and fill the void to the studs. This prevents water tracking up under the liner and outwards into the internal wall at the edge of the tray.



# 7

## Installation Overview 2 Sided Tray with Tiled Walls

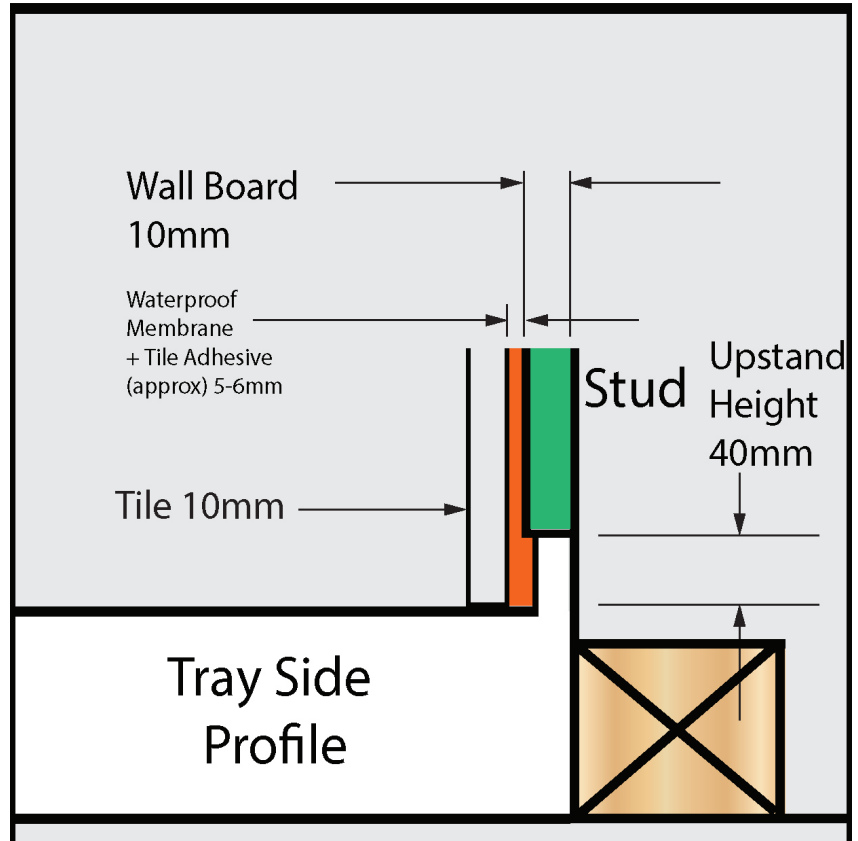
### Tray Position to Wall Linings and Tiles

Prior to starting the installation of the shower tray, it is important to understand the way our shower trays are installed to provide a leak free joint between the wall linings and the tray.

Please refer to the diagram on the right and below description:

- A. The tray is installed hard up to the framing base plates and studs.
- B. The internal plumbing is installed and wall linings are installed over the studs and DOWN to the TOP of the upstand.
- C. An Appropriate Waterproofing Membrane (not provided by Nouera) is applied correctly to the wall linings, in conjunction with a jointing system compatible with the membrane installed between the upstand and wall lining joint.

It is very important to ensure the tray fits hard up to the framework all the way along the tray edge. This will ensure the GIB board will overhang the upstand equally along the tray.



### Installing Wall Receivers for Tiled Wall Installation

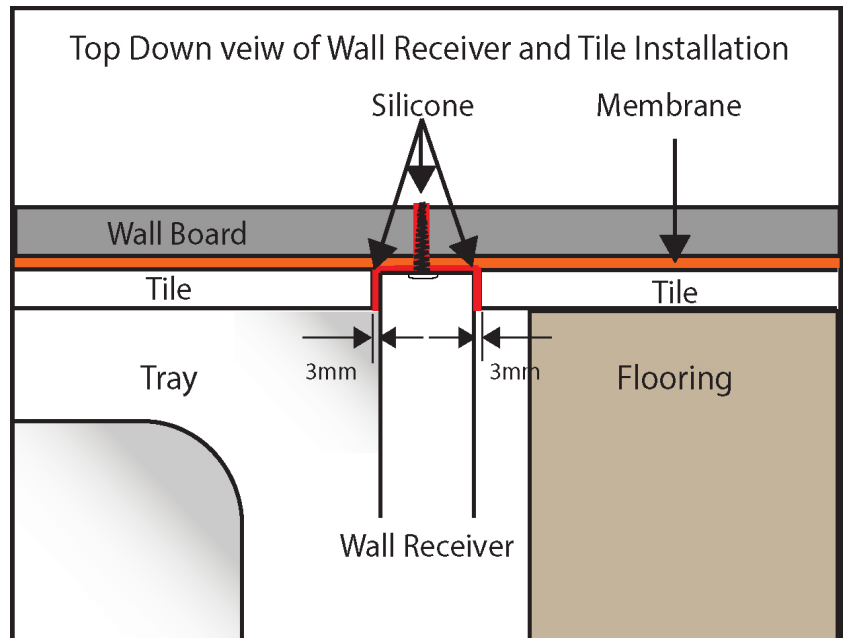
It is critical to note that **AFTER** the Membrane is applied to the walls, and **PRIOR** to installing the tiles, the wall receivers must be fitted to the walls.

This will ensure correct fitting of the framing system onto the tray and will also provide a high level of water proofing at the perimeter of the shower door framing.

**REFER TO THE DOOR INSTALLATION GUIDE FOR FITTING OF THE WALL RECEIVER BUT KEY POINTS TO REMEMBER:**

- A. The wall receiver must have a solid bead of silicone inserted between it and the wall membrane.
- B. The fixing screws must also have silicone applied to the threads as they are installed.
- C. There must be a minimum gap of 3mm between the edge of the tile and the wall receiver to allow for the door frame to be installed over the wall receiver. Once the wall receiver is installed, this gap can be filled with a coloured silicone.

**FAILURE TO FIT THE WALL RECEIVERS PRIOR TO TILING COULD RESULT IN DOORS NOT FITTING THE SHOWER TRAY CORRECTLY, IF AT ALL.**



# Installation Overview

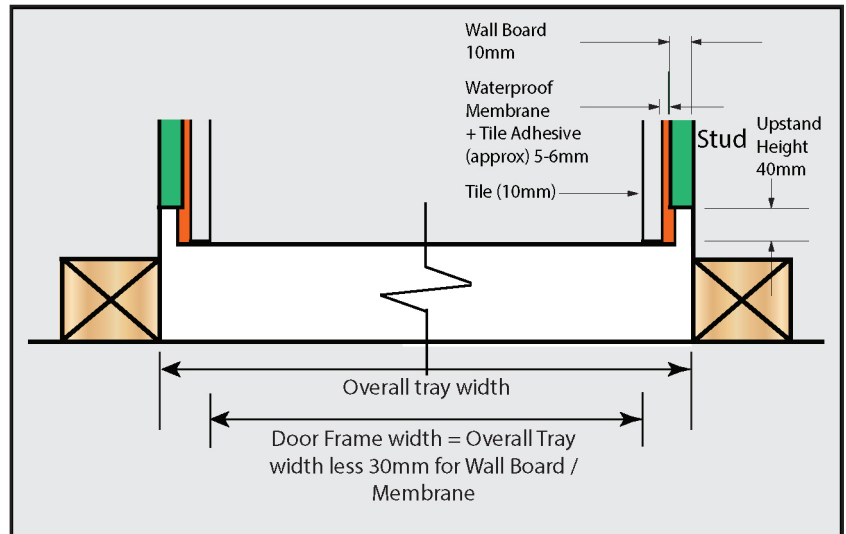
## 3 Sided Tray with Tiled Walls

### Tray Position to Wall Linings and Tiles

There needs to be special consideration to measurements of framing and wall linings when installing Alcove shower trays to ensure a satisfactory fit of wall liners and door systems.

Due to the nature of an Alcove shower having 3 Upstands, special attention is required when building or renovating an existing Alcove frame.

- A. It is essential to ensure the tray to frame fit is perfect, and that all walls will allow for equal overhang of wall board over the Upstand.
- B. It is also very important to ensure all frames are vertically plumb, and also all the walls are at Right Angles to each other.
- C. It is also very important to understand the relationship between tray size and door opening size.



### Installing Wall Receivers for Tiled Wall Installation

It is critical to note that **AFTER** the Membrane is applied to the walls and **PRIOR** to installing the tiles, the wall receivers must be pre-fitted fitted to the walls.

This will ensure correct fitting of the door framing system onto the tray and will also provide a high level of water proofing at the perimeter of the shower door framing. **FAILURE TO FIT THE WALL RECEIVERS PRIOR TO TILING COULD RESULT IN DOORS NOT FITTING THE SHOWER TRAY CORRECTLY - IF AT ALL.**

Nouera Alcove Shower door frames require 1 wall receiver to be fitted and sealed to the wall prior to the tiles being installed, and the second receiver to be fitted and sealed during the door installation process.

**REFER TO THE DOOR INSTALLATION GUIDE FOR FITTING OF THE WALL RECEIVER BUT KEY POINTS TO REMEMBER:**

A. It is critical to fit and silicone seal 1 x wall receiver onto the wall **prior to tiling**. This is normally the wall receiver without the exposed fitting tail.

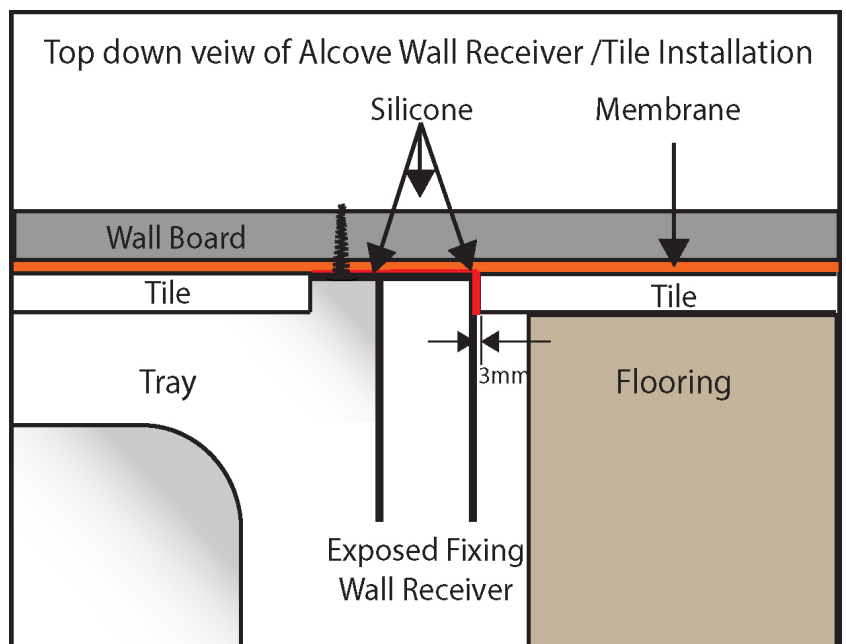
B. The fixing screws must also have silicone applied to the threads as they are installed.

C. At the same time, "dry fit " (no silicone) the second receiver which has the exposed screws and fixing tag (as shown on right) to the wall. This will provide you the correct position for the tiles etc.

**REMINDER:** There must be a minimum gap of 3mm between the edge of the tile and the wall receiver to allow for the door frame to be installed over the wall receiver. Once the wall receiver is installed, this gap can be filled with a colored silicone.

D. Install tiles and grout.

E. Then remove 1 x receiver which is not sealed to wall. Fit the door frame and second receiver, ensuring that there is a full silicone bead behind the receiver to be fitted. Refit the receiver and fixings as A and B.





# 9

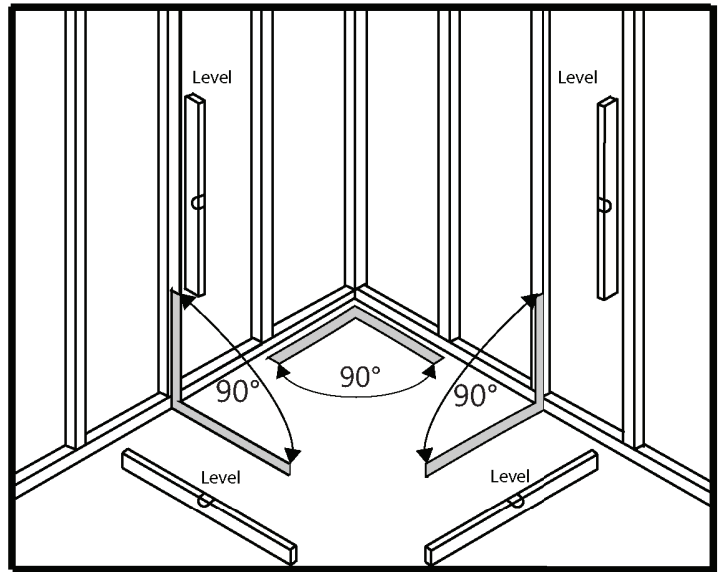
## Tray Installation - Preparation

### Floor and Wall Preparation

1. Clean the floor surface thoroughly.
2. Ensure the framing is clean from any protrusions (e.g. nails) which may inhibit the linings from being attached correctly.
3. With a Level, check the floor is level. Check both sides where the tray will be located. Some older floors are not 100% level, so some packing to the floor may be required to bring this to level. If packing is installed, ensure that the packing is placed so it will make SOLID contact with the tray support feet.
4. With a Level, check the walls are vertically plumb.
5. With a Square, ensure the walls are at 90 degrees to the floor. This will confirm step 4.

**If the walls are not vertically plumb** - there is a small level of adjustment within all our door frames to allow for walls which are out of plumb. All shower door frames will allow up to approximately 10mm of adjustment from the bottom to the top of the frame.

6. With a Square, ensure the walls are at 90 degrees (right angles) with the rear corner(s). This is important as the tray needs to sit flat against the base plates, and the lining needs to overhang the tray Upstand equally. If packing is required to the walls, ensure this is done at this stage.



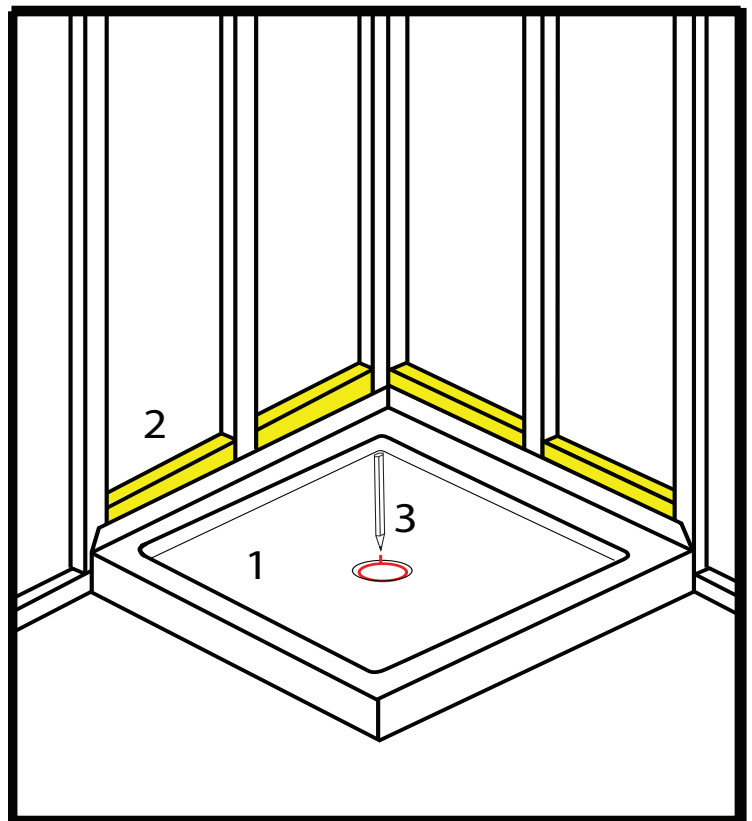
### Pre Fitting Tray and Wall Lining Support

1. Place the tray down onto the floor and position the tray hard into the base plates and studs. Check with a Level that the tray sits level, and check also that there is fall on the drainage areas of the tray.

Check that the tray is sitting evenly on its support feet. You may have to slightly sand/grind the support feet in order for the tray to sit flat.

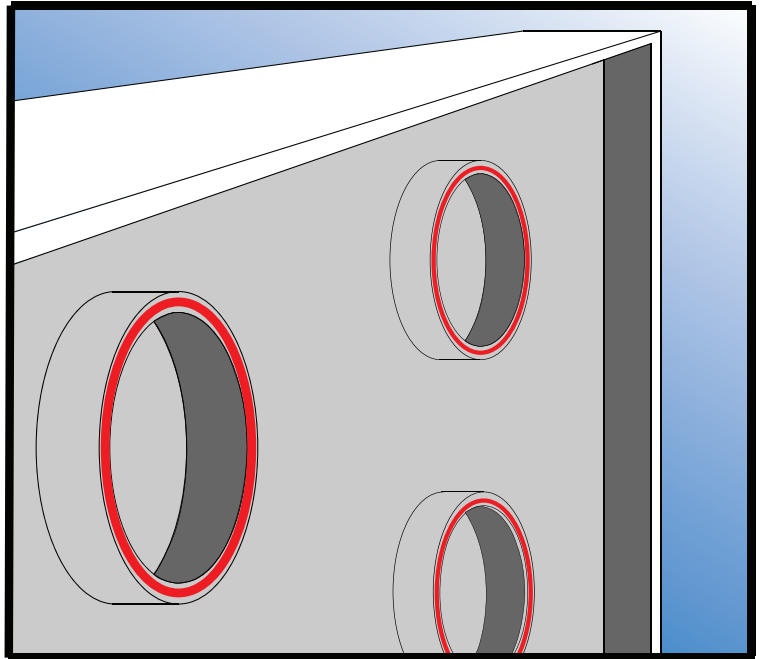
2. If there is no timber to support the wall linings between the vertical studs, then it is critical to add in timber framing to provide a solid fixing to the wall linings where they meet the top of the tray Upstand.

3. Mark the waste position on the floor. If the tray is being installed onto a concrete floor, make up a cardboard template from the old box to show the waste position, so the Easy Clean Waste can be glued into the correct position prior to fitting of the tray.



## Floor and Wall Preparation

1. Clean the floor surface thoroughly. Ensure that all dust is removed from the floor and the surface is dry and clean.
  2. Ensure the framing is clean from any protrusions (e.g. nails) which may inhibit the linings from being attached correctly.
  3. Install the Easy Clean Waste either in the floor if concealed, or onto the tray if accessible.
  4. Using an adhesive such as SIKA SHOWER BOND, apply rings of adhesive to ALL the support rings. Sometimes you can apply one thin bead to each ring, then go back and apply a second larger bead.
- IT IS CRITICAL TO ENSURE THERE IS A GOOD BEAD OF ADHESIVE ON ALL SUPPORT RINGS.**
5. Carefully lift the tray into position, then lower it onto the floor. Try not to slide the tray into position after it makes contact with the floor, this can cause the adhesive to move from under the support rings.

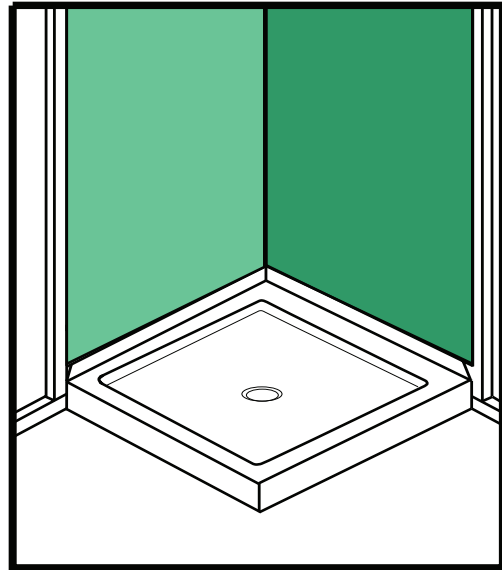


**Allow the adhesive 24 hours to cure.  
During this time do not stand or move the tray. You can also place  
small weights onto the tray to aid adhesion.**

## Installing Wall Linings

1. Ensure all the wall framing is clear of any protrusions e.g. nail heads etc.
2. Mark the wall linings for the studs for fixing and take note of any electrical or plumbing pipework installed into the wall cavity.
3. Install the wall lining board down and onto the TOP of the Upstand of the tray. As referred to in the Introduction section.
4. Once the linings are fastened to the wall, check that you have an overhang between the wall lining and the front edge of the upstand of at least 3mm and maximum of 5mm all the way along the upstand length.

**If anything is unclear, please refer back to the Introduction section which references your wall linings and tray installation.**



## Installing Acrylic Wall Liner

**FOR INSTALLATION OF AN ACRYLIC WALL LINER TO THE WALL BOARDS THE BOARDS MUST BE -**

**Clean / Dry / Dust Free**

**Must not have any plastered areas**

**Must not be painted / primed / or sealed in any way.**

**YOU MUST ALSO ALLOW THE LINER TO RELAX PRIOR TO INSTALLTION. LYING THE LINER DOWN ON ITS FACE AND SPREAD OUT LIKE AN "A" IN THE SUN WILL AID IN ALLOWING THE LINER TO SIT AGAINST THE WALL BOARDS.**

1. Offer up the liner to the wall and mark the outside edge of the liner on to the wall. Mark all penetrations on the liner, and drill using a Twist Drill, Fine Tooth Hole Saw, Fine Tooth Saw or Jig Saw.
2. Remove protective film from Upstand area of tray. Apply silicone to Upstand. Refer to the Introduction section for details.
3. Mark vertical lines on the wall. Lines must be 80mm apart and run vertically within 15mm from the top edge and to the bottom of the wall board.
4. Apply even thickness beads (approx 5-6mm wide) vertically down the lines. Ensure the beads are 80mm apart.

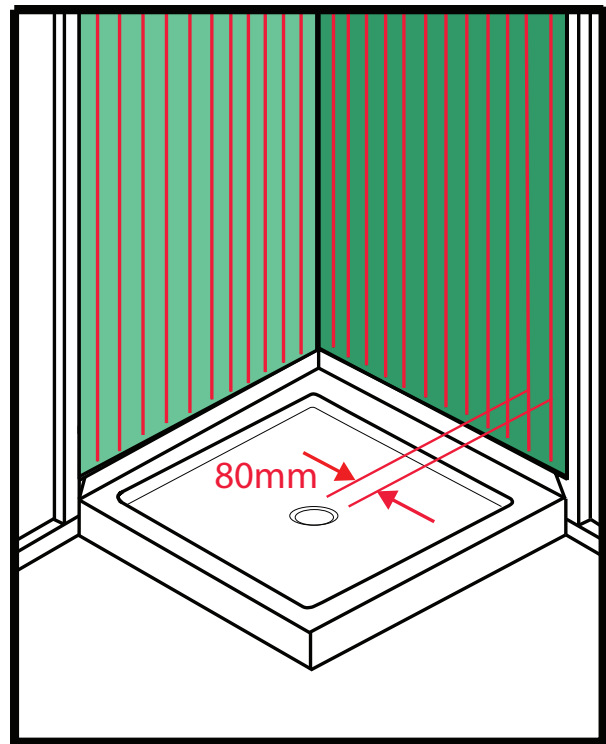
When applying adhesive **DO NOT** do the following:

- JOIN THE BEADS AT ANY STAGE. Run the vertical bead from the top to the bottom. Stop the bead, then move to the next line and start a new bead.
- RUN ANY HORIZONTAL BEADS ACROSS THE WALL BOARD.

5. Place the liner onto the tray and press the liner to the wall board. Working from the inside corner(s) out, slowly press the liner hard to the wall board. Once fully pressed allow to rest for 10mins then re-press again. You may hear "crackling" of air being released from the glue. Keep pressing the liner until smooth.

6. Larger liners and 3 sided liners may require bracing whilst curing.

7. A minimum of 24 hours at 20° C curing time is required before the shower can be used.



A great tool for pressing liners is a piece of framing timber wrapped in a soft towel or carpet. This will allow you to apply higher pressure onto the liner which will aid in smoothing the glue and improve adhesion

## Installing Tiled Walls.

Refer to the Introduction section of this Installation manual for direction on wall lining position etc. PLEASE NOTE - It is a council requirement that waterproof membranes are installed by an approved installer. Failure to install membranes correctly will cause leakage. The membrane / wall linings and tray joint is not covered in any part by Fibre Systems warranty and is solely the responsibility of the installer.

## 12 Warranty

---

All bathroom ware products supplied by Fibre Systems carry our Quality Assurance and Product Warranty. We use the highest quality materials available and manufacture these in accordance with New Zealand specifications and requirements to ensure that all products are fit for the intended purpose for which they are designed. Our customers peace of mind is of paramount importance to us.

### Warranty Periods

Baths	10 years
Showers	10 years
Shower Screens and Doors	10 years

### Warranty Exclusions

The product must be installed according to the instructions supplied.  
The water supply temperature applied to the product must not exceed 55° Celsius.  
Commercial applications are restricted to a 2 year warranty on all products.

## 13 Cleaning

---

### Shower Wall

We use Durosan premium quality sanitaryware grade Acrylic. It is, by design, very robust and chemical resistant. A soft damp cloth with non-abrasive cleaners should be used. Use only non-abrasive cleaners that are recommended for Acrylic products.

### Shower Tray and Bath

We manufacture our Shower Trays and Baths using a Solid Acrylic Surface. Most other shower trays are manufactured using a veneer acrylic surface. The great advantage is that small scratches can be removed easily by using fine cutting compound. Again, the same basic cleaning methods as the wall are recommended.

### Shower Doors and Glass

All glass is compliant to AS/NZS 2208. We suggest that the glass surfaces are wiped down or squeegeed following use to remove excess water. For best results use a trusted glass cleaner.

### Metal framework

Should be cleaned using a soft damp cloth with non-abrasive cleaner. Note that on round showers, the bottom rollers are easy release for ease of cleaning. If chemical spray cleaners are used, avoid direct contact with the rollers and guides and ensure the shower is rinsed off to avoid residue build up.

### Weather seals and drip strips

Can be removed if required for cleaning, and can be replaced when they no longer look their best. Refer to the spare parts and accessories section of this website for more details.

**Note - If the Glass has been treated follow specific cleaning instructions from the system provider.**

## 14 Aftersales service

---

We trust you have found the manual helpful during the installation of this product. However, if you have any questions at all regarding your product, please feel free to contact us.

Phone 09-274-7423

Fibre Systems Ltd

77 Cryers Road

East Tamaki

Auckland