



IMPORTANT - PLEASE RETAIN THIS DOCUMENT FOR WARRANTY REFERENCE. PLEASE ALSO ATTACH YOUR SALES RECEIPT FOR ANY FUTURE ENQUIRIES

INSTALLATION GUIDE

Frameless Pivot 2 Sided Square Door Set

1

Contents

Introduction	Page 3
Contents supplied	Page 4
Tools required / safety warnings	Page 5
Installing glass channels	Page 6
Installing glass	Page 7
Fitting the support bar	Page 8
Hanging the door	Page 9
Fitting seals	Page 10
Sealant installation	Page 11
Warranty / Cleaning and After Sales Service	Page 12

2 Introduction

Thank you for purchasing a Nouera Product. As a 100% New Zealand owned and operated company with over 35 years experience, we appreciate your support, and we're sure you will find this product of the highest quality.

This installation manual is designed to provide you with as much assistance as possible during the installation process. If at any stage you encounter confusion, we invite you to contact us at your earliest convenience. One of our technicians will be more than happy to talk you through any questions you may have. Our contact details are at the back page of this manual.

It is important to consider the implications not only of voided warranty, but also potential water leakage if installation is not carried out correctly. It's always better to be safe than sorry.

This product has been manufactured to meet all of our quality assurance standards, and as required by the New Zealand Building Code, our Glass is manufactured to meet all requirements of AS / NZS 2208.

This product is also covered by our full 10 year "NO NONSENSE" warranty. The full details of this can be found on Page 12 of this manual.

Product Orientation

Equal sided showers i.e 900 x 900 -

This Door set is designed to be fitted on either the LH side or the RH side of the tray. The door opening orientation is not reversible. The door **must close onto** the large fixed return panel.

Unequal sided showers i.e 1200 x 900 - This door set must be fitted to the matching orientation tray , either LH or RH orientation. It is not reversible.

In addition the door opening position is not reversible - The door must close onto the large fixed return panel.



900 x 900 Door
On LH Side



1200 x 900
LH



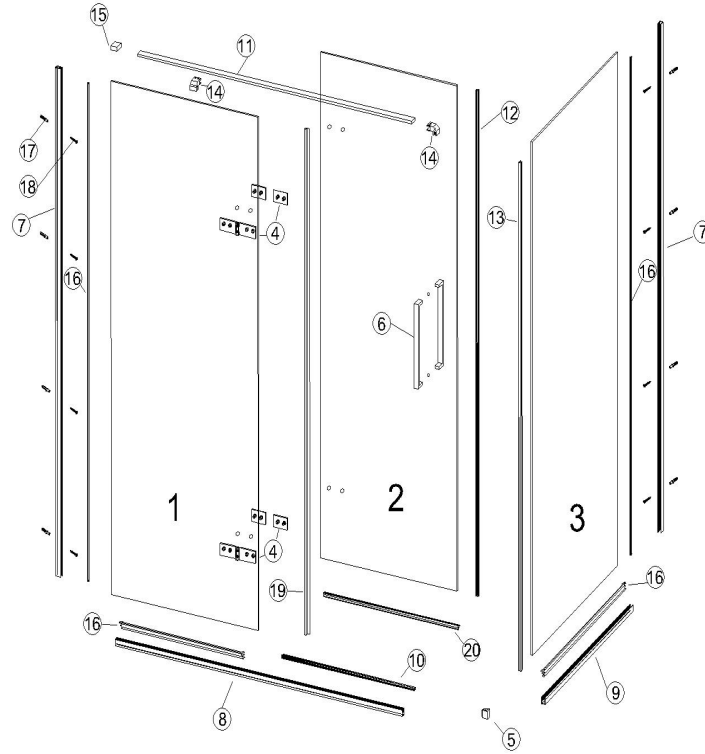
900 x 900 Door
on RH Side



1200 x 900
RH

3 Contents Supplied

Please ensure that all parts listed below are supplied prior to starting installation




PARTS LIST

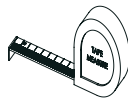
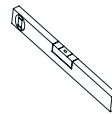

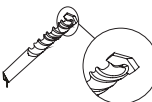
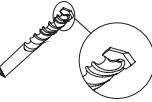
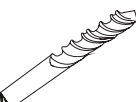
Part Number	Description (QTY)
1	Small Glass Hinge Panel (1)
2	Glass door panel (1)
3	Large Glass Return Panel (1)
4	Door Hinges (2)
5	Bottom Channel Corner Cover (1)
6	Door Handle Set (1)
7	Wall Receiver Channel (2)
8	Long Bottom Channel (1)
9	Short Bottom Channel (1)
10	Threshold Cover (1)

Part Number	Description (QTY)
11	Support Bar (1)
12	Door Magnet Seal (1)
13	Return Magnet Seal (1)
14	Support Bar Retaining Brackets (2)
15	Support Bar Mounting Bracket (1)
16	Glass Wedge Seal (4)
17	Hollow Wall Anchors (9)
18	Fixing screws 4x30mm (9)
19	Vertical Weather Seal (1)
20	Door Bottom Drip Strip (1)

4

Tools Required

	Flat head Screwdriver
	Phillips Screwdriver
	Marking Tool
	Drill
	Hammer

	Tape Measure
	Level
	Caulking Gun / Silicone
	6mm Tile Drill Bit (if wall surface is tiled and hollow wall anchors are installed)
	3mm Tile Drill Bit (if wall surface is tiled and solid timber mounting is available)
	3mm HSS Drill Bit

** We recommend the use SIKA Sikasil NG Arctic White Silicone

Safety / Warnings

Warning - The Glass Panels of this product are made from high quality Safety Glass.

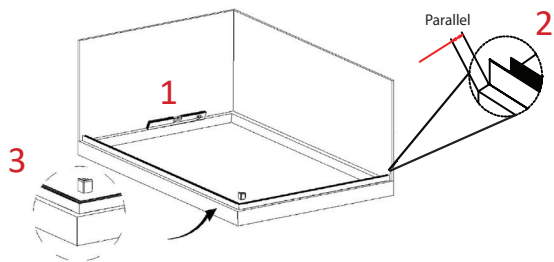
The nature of Safety Glass means that it is highly impact resistant on its FACE (flat side).

However, it is sensitive to impact on its edges. Take all possible steps to ensure the edges of the glass panels are protected from impact during installation.

Safety - Please take all possible steps to ensure that the correct Personal Protection Equipment is used, and that care is taken during the installation of this product.

5 Installing glass channels

Before installing the wall receivers, the shower tray and wall liner must be installed in accordance with the separate instruction manual.



Step 1 - Using a level, ensure the tray is level along all 4 edges prior to channel installation.

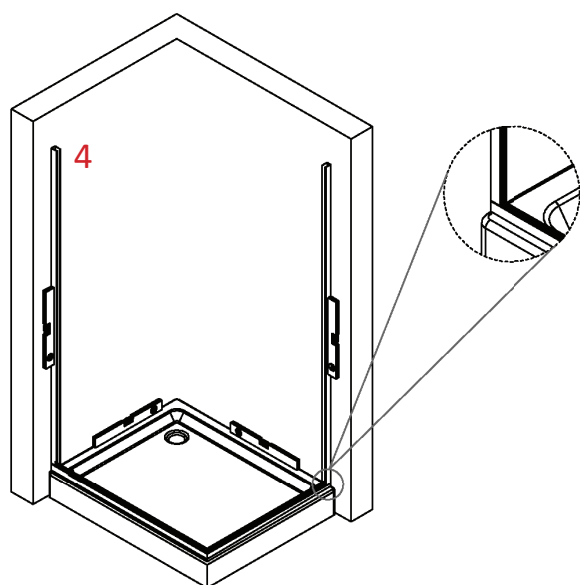
Step 2 - Place the bottom channel onto the tray, and position so the channel is running parallel to the front edge of the tray. Ensure both ends of the channel meet the wall linings. Mark the position of the channel. Remove the channel and run a silicone bead on the bottom of the channel. Install the channel onto the tray and bead off excess silicone.

Step 3 - Install a small bead of silicone to the outside of the corner joint and install the corner cap onto the corner joint.

Allow 24 hours to dry prior to next installation step

Step 4 - Place the wall channel onto the top of the floor channel and align. Then using a level ensure the wall channel is vertically plumb, and mark the hole positions on the wall

IMPORTANT - If you are installing the doorset onto a **TILED WALL** and an **ACRYLIC TRAY** the **floor AND wall** channels should be installed to the wall lining **PRIOR TO TILING**.

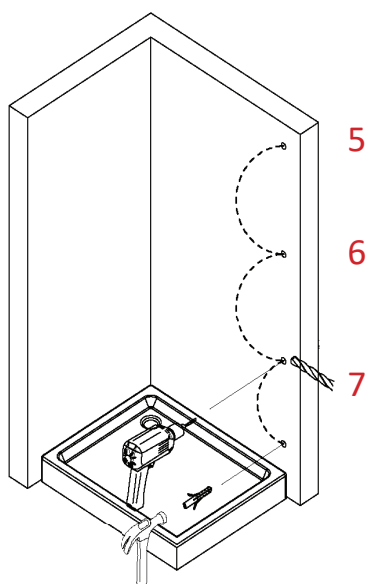


Step 5 - Drill 3mm pilot holes.

Step 6 - If the walls are hollow, drill a 6mm hole and install the hollow wall anchors.

If you have solid timber fixings (preferable), drill a 3mm pilot hole through the wall surface.

Step 7 - Install screws through wall receivers and into wall/anchors. Run a small "eyebrow" bead of silicone onto the thread as you

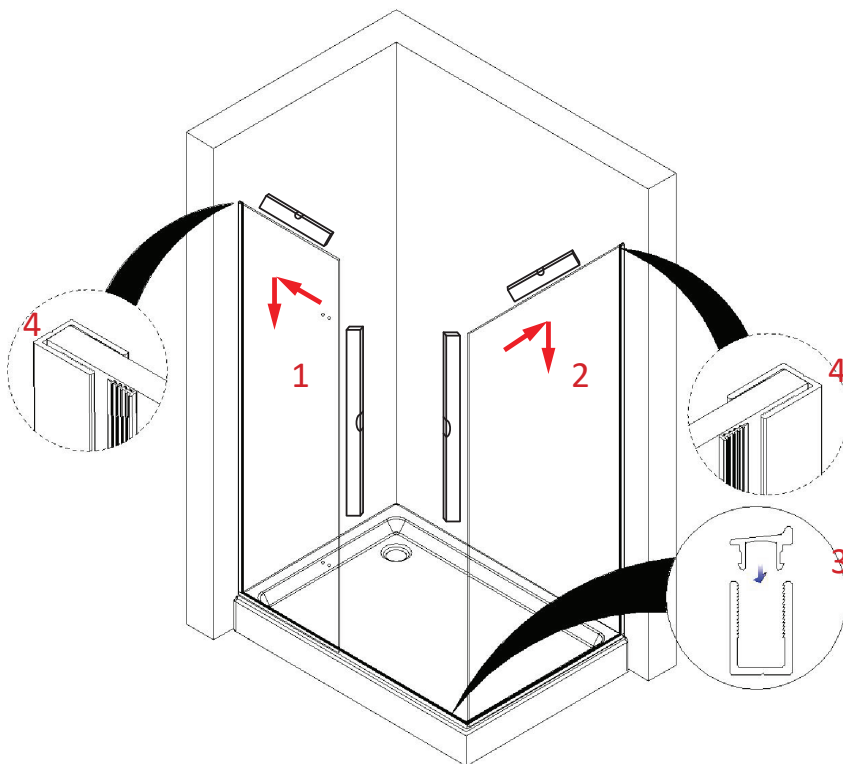


6 Installing glass

IMPORTANT - Prior to installing the glass panel, place a level onto the top edge of the bottom glass channel and ensure the channel is level. If the channel is not exactly level, when the glass is installed it will not finish level at the top, and the panels will not be vertically plumb.

To compensate for this, inside the seal package there are 4 x clear silicone rubber packers. You can cut these again if required and use them to pack up the glass panel until the glass is level.

WARNING - Take care when lifting and installing the glass panel. This panel is safety glass which is very strong on its face, but its edges are highly sensitive to impact. It is recommended that safety glasses are worn, and also use glazing suction tools when lifting and placing the glass into the channel.



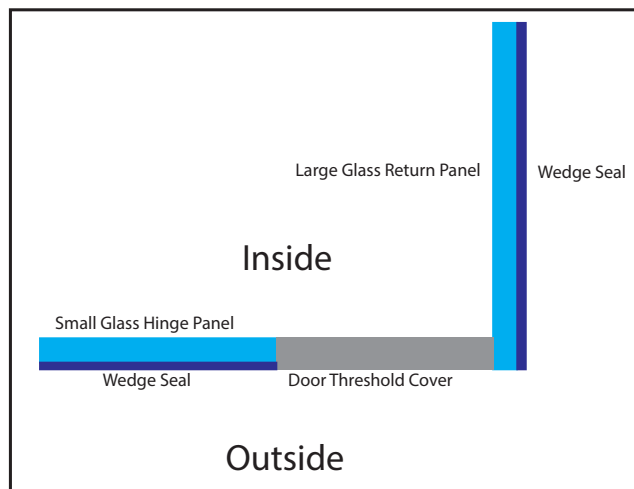
Step 1 - Place the small glass hinged panel (with holes) into the wall and floor channel. Using a level - check the panel is vertically plumb and level on the top edge. If it is not, remove the panel and use the clear silicone flat packers to pack the glass up until it is plumb. **It is critical to get these panels plumb otherwise the door will not operate and will fail to close on the seals correctly.**

Step 2 - Repeat the process on the large return panel (no holes)

Step 3 - Install the threshold cover into the bottom channel between the glass panels. Carefully slide the glass return panels outwards until they meet with the edges of the threshold cover.

Step 4 - Install the glass wedge seal on the OUTSIDE of the glass panels along the floor and wall channels.

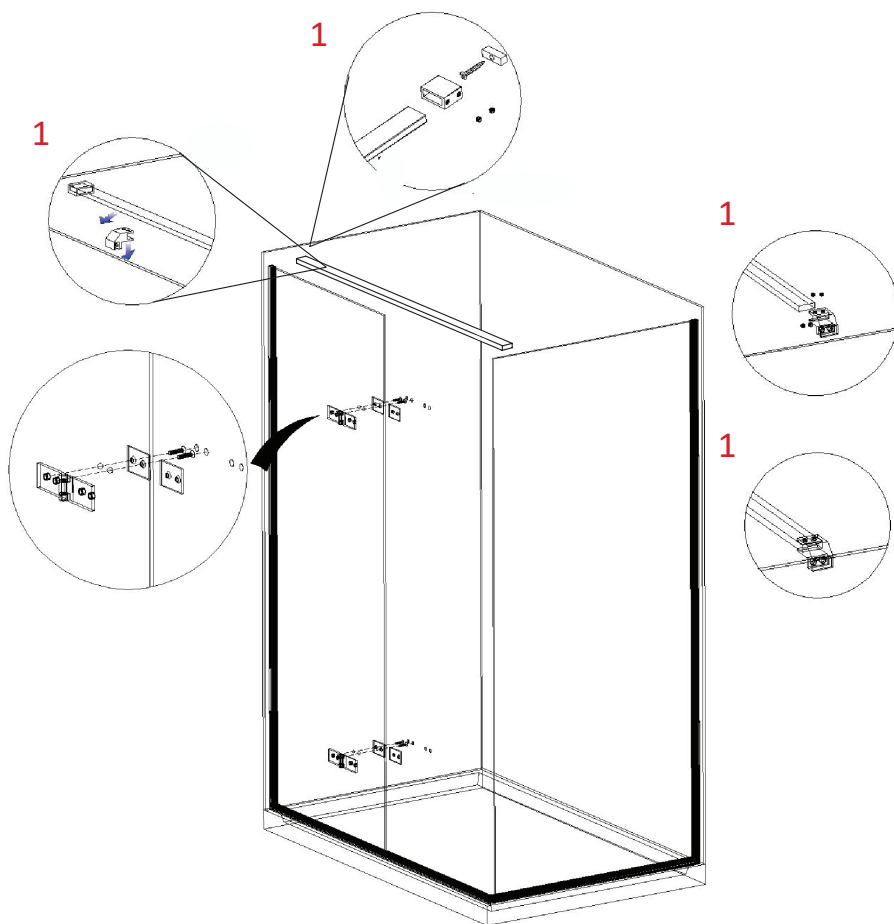
Please see below for Top Down view of the finished position of above



7

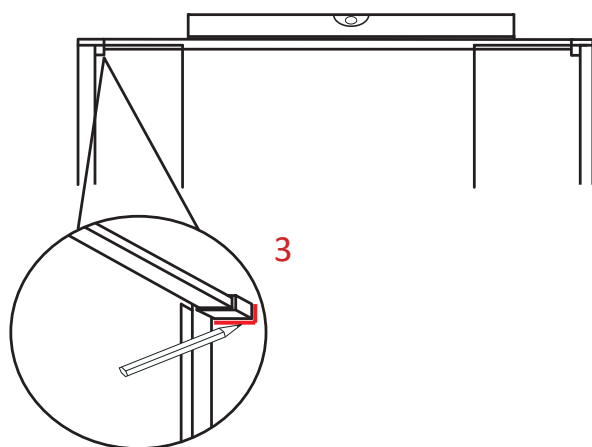
Fitting the support bar

HINT - Before fitting the support bar, place the door panel **INSIDE** the shower. Place it on something soft to protect the edge of the glass and lean it against the wall. It is easier to fit the door from the inside after the support bar is installed.



Step 1 - Fit the retaining brackets to the top edge of the each glass panel. Their position along the edge of the panel is your choice, but they must be a minimum of 80mm from the wall linings to allow for the mounting block fitment.

Step 2 - Slide the mounting blocks onto each end of the support bar and install the retaining bar onto each clip. Tighten the screws which fasten the clips to the bar.



Step 3 - Position the mounting blocks against the wall linings and mark their position by tracing the outline of the block onto the wall linings. Also check the support bar is level.

Step 4 - Remove the support bar from the glass.
 a. Remove the inner brackets from the mounting blocks.
 b. Place the inner blocks in the marked position.
 c. Drill a 3.5mm through the wall linings, where the inner bracket hole sits against the linings.
 d. Mount the mounting block inner to the wall.
 e. Slide the mounting blocks back on the bar, and refit the bar to the glass panels.
 f. Slide the blocks over the inner brackets and tighten the fixing screws.

g. Fasten the glass clips to the bar.

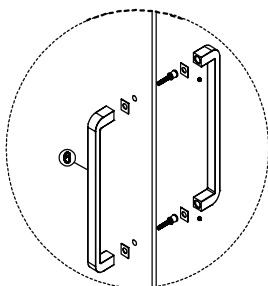
IMPORTANT - CHECK ALL THE SCREWS ARE FASTENED AND TIGHT. FAILURE TO DO HIS COULD CAUSE THE DOOR TO DROP DOWN AND BREAK

8

Hanging the door

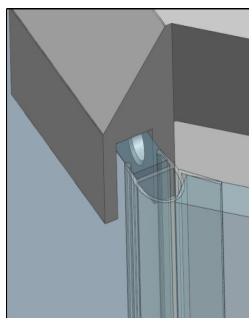
IMPORTANT - Before hanging the door, the support bar **MUST** be installed and all fixings must be tight. Failure to do this may result in the door not operating, or dropping and breaking.

1

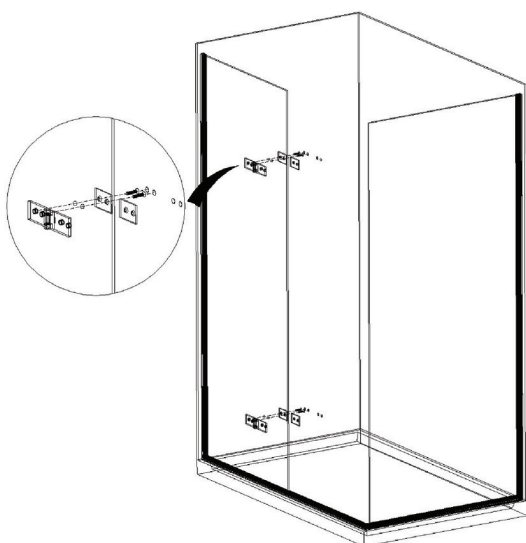


Step 1- Install the Handle onto the door panel.

2



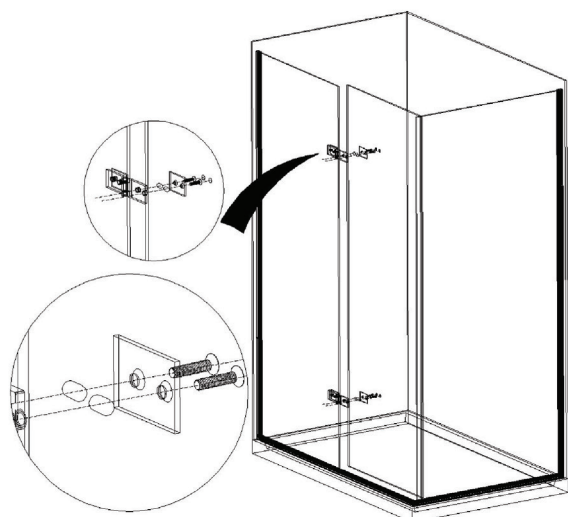
Step 2- Install the horizontal weatherseals. The rounded “bulb” shaped seal is installed onto the Hinged panels of glass. The concave seal is placed onto the trailing edge of the door panel.



Step 3- Place blocks of either polystyrene, cardboard, or soft clothes onto the floor and place the door onto these carefully. You will need packers which are approx 115mm high.

It is recommended to position the door at 90 degrees with the hinged panel so you can access both sides of the door panel.

Step 4 - Offer the door up to the hinges and carefully thread the screws through the glass and onto the hinges. Tighten the screws up to a medium strength.



Door Adjustment - The holes in the door panel are made 4mm larger than the hinge fixings screws to allow for small horizontal adjustment.

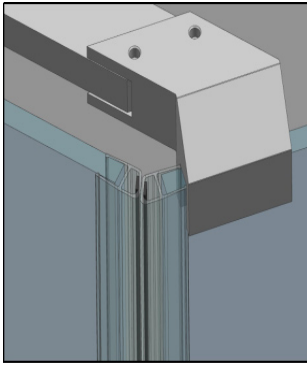
It is important to loosen screws before moving the door panel side to side, otherwise the hinged panel of glass position could be moved, or the panel could be damaged.

Working from the inside of the shower. Bring the door to the closed position. Check the door panel horizontal alignment with the return glass panel. Ensure the gap is the equal all the way along the vertical edge of the panels. Tighten the screws.

9

Fitting the seals

1

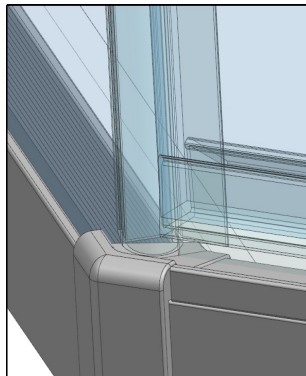
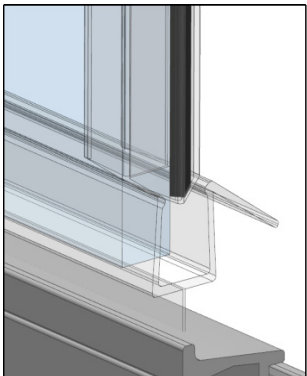


Step 1 -

Install the vertical magnetic weatherseal onto the edge of the door and the return panel.

Check the door alignment, and again loosen the fixings screws on the door and adjust so the magnetic seals fit together correctly.

2



Step 2 -

Install the bottom drip strip onto the bottom edge of the door. Place the weatherseal as per the pictures. It is advisable to add a small dab of silicone at the joint where the magnet seal and the bottom drip strip meet.

**Step 1 -**

Apply a bead of silicone to the **OUTSIDE** perimeter of the shower.

Apply a bead to the outside of the wall receiver where they meet the liner / wall surface.

Continue this bead down to the junction of the liner / receiver and tray.

Take care at this junction to ensure the corner joint is completely sealed on the outside. Repeat on the other wall receiver, then run a bead along the joint between the door frame and tray. Trim and allow to dry for 24 hours.

WARNING -

Silicone sealant should only be applied to the **OUTSIDE** perimeter of the shower. Installing silicone inside the shower can cause blockage of water and leakage, and **WILL** cause mould build up. Your warranty **WILL BE VOIDED**.

11 Warranty

All bathroomware products supplied by Nouera Shower Systems carry our Quality Assurance and Product Warranty. We use the highest quality materials available and manufacture these in accordance with New Zealand specifications and requirements to ensure that all products are fit for the intended purpose for which they are designed. Our customers peace of mind is of paramount importance to us.

Warranty Periods

Baths	10 years
Showers	10 years
Shower Screens and Doors	10 years
Black Coated Framework	5 years

Warranty Exclusions

The product must be installed according to the instructions supplied.
The water supply temperature applied to the product must not exceed 55 degrees Celsius.
Commercial applications are restricted to a 2 year warranty on all products.

12 Cleaning

Shower Wall

We use Durosan premium quality sanitaryware grade Acrylic. It is, by design, very robust and chemical resistant. A soft damp cloth with non abrasive cleaners should be used. Use only non abrasive cleaners that are recommended for Acrylic products.

Shower Tray and Bath

We manufacture our Shower Trays and Baths using a Solid Acrylic Surface. Most other shower trays are manufactured using a veneer Acrylic surface. The great advantage is that small scratches can be removed easily by using fine cutting compound. Again the same basic cleaning methods as the wall are recommended.

Shower Doors and Glass

All glass is compliant to AS/NZS 2208. We suggest that the glass surfaces are wiped down or squeegeed following use to remove excess water. For best results use a trusted glass cleaner.

Metal framework

Should be cleaned using a soft damp cloth with non abrasive cleaner. Note that on most showers, the bottom rollers are easy release for ease of cleaning. If chemical spray cleaners are used, avoid direct contact with the rollers and guides and ensure the shower is rinsed off to avoid residue build up.

Weather seals and drip strips

Can be removed if required for cleaning, and can be replaced when they no longer look their best. Refer to the Spare Parts and Accessories section of our website for more details.

Note - If the Glass has been treated follow specific cleaning instructions from the system provider.

13 After sales service

We trust you have found this manual helpful during the installation of this product. However, if you have any questions at all regarding your Nouera product, please feel free to contact us.

Phone 09-274-7423

Fibre Systems Ltd
20 Neilpark Drive
East Tamaki
Auckland