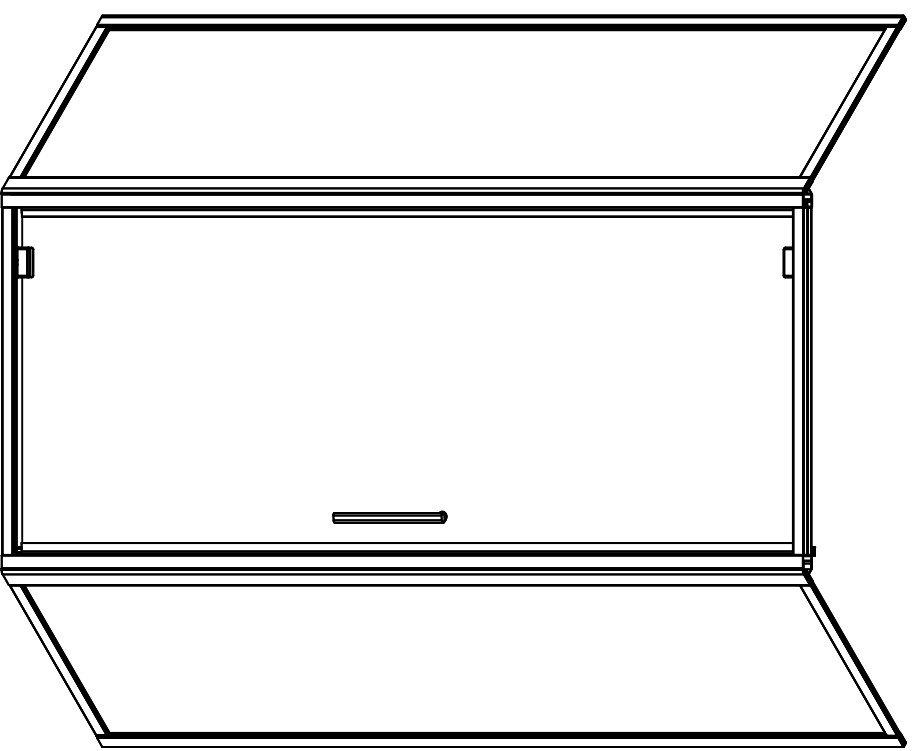
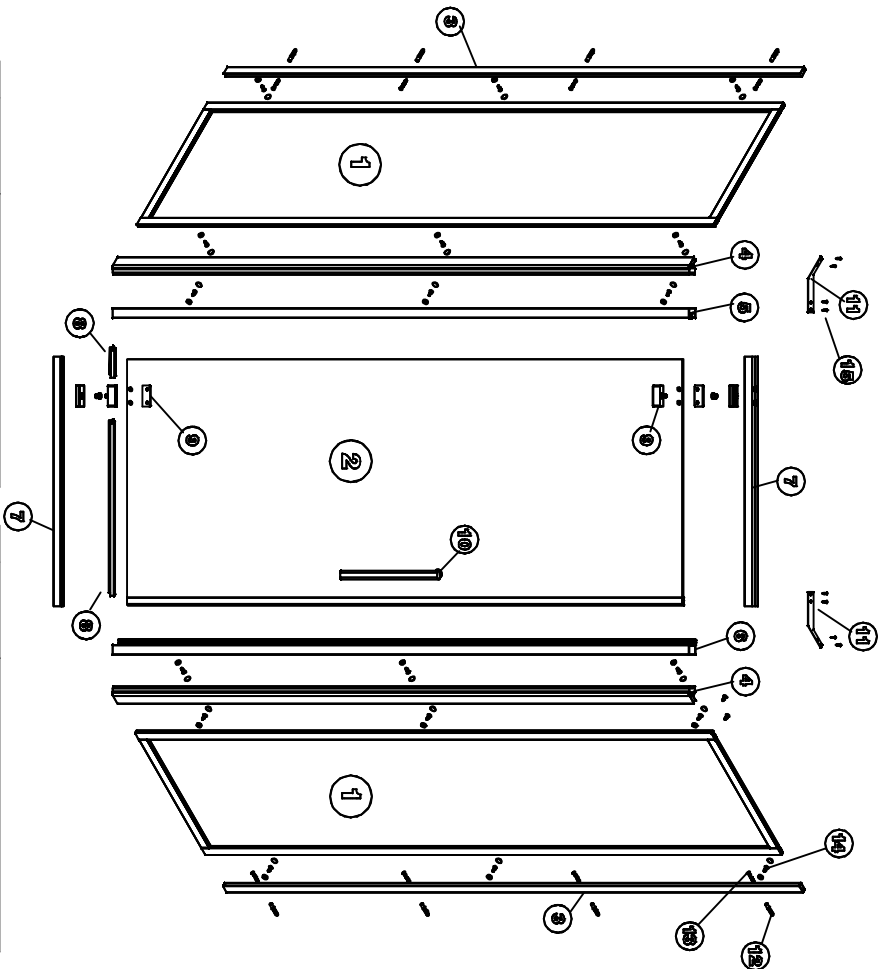


SHOWER ENCLOSURE
INSTALLATION INSTRUCTIONS



INSPECTION AFTER OPENING

Please read these installation instructions and check that all the parts are supplied and in good working order. If there are any missing or damaged items, please contact your supplier.



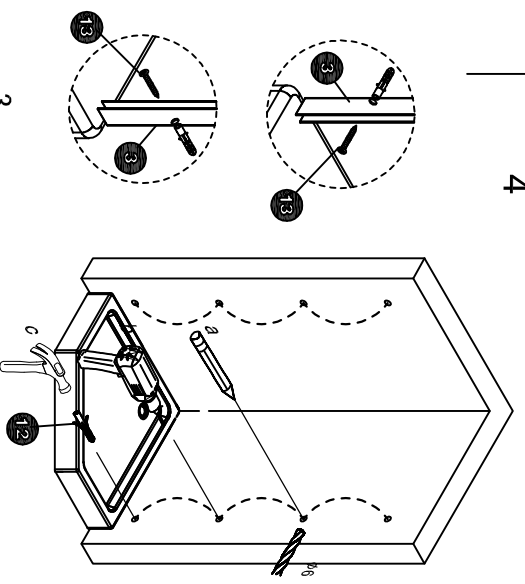
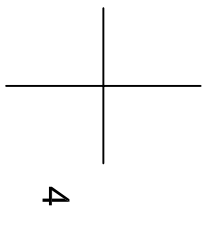
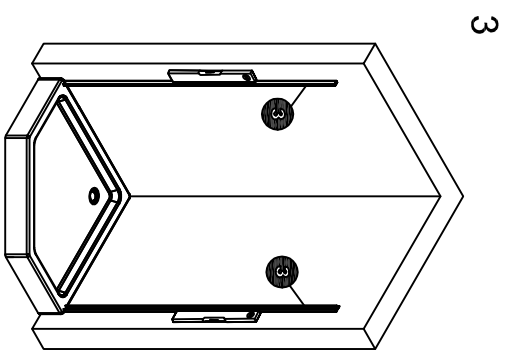
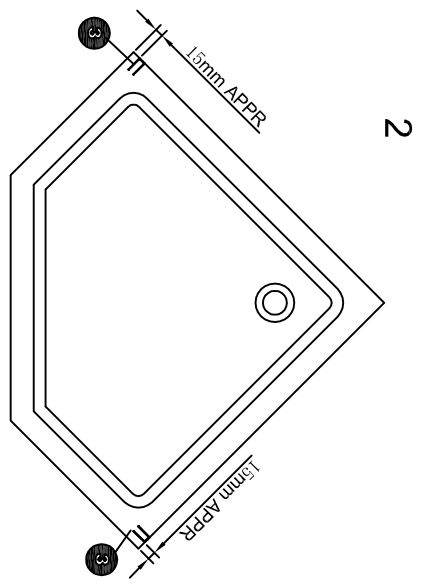
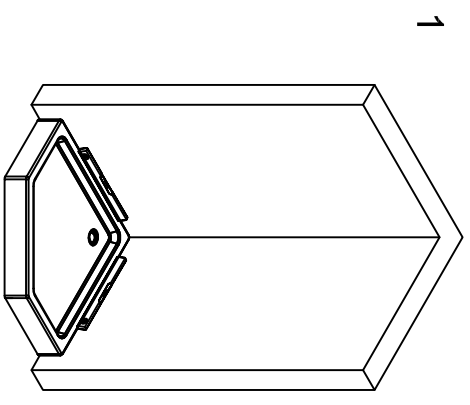
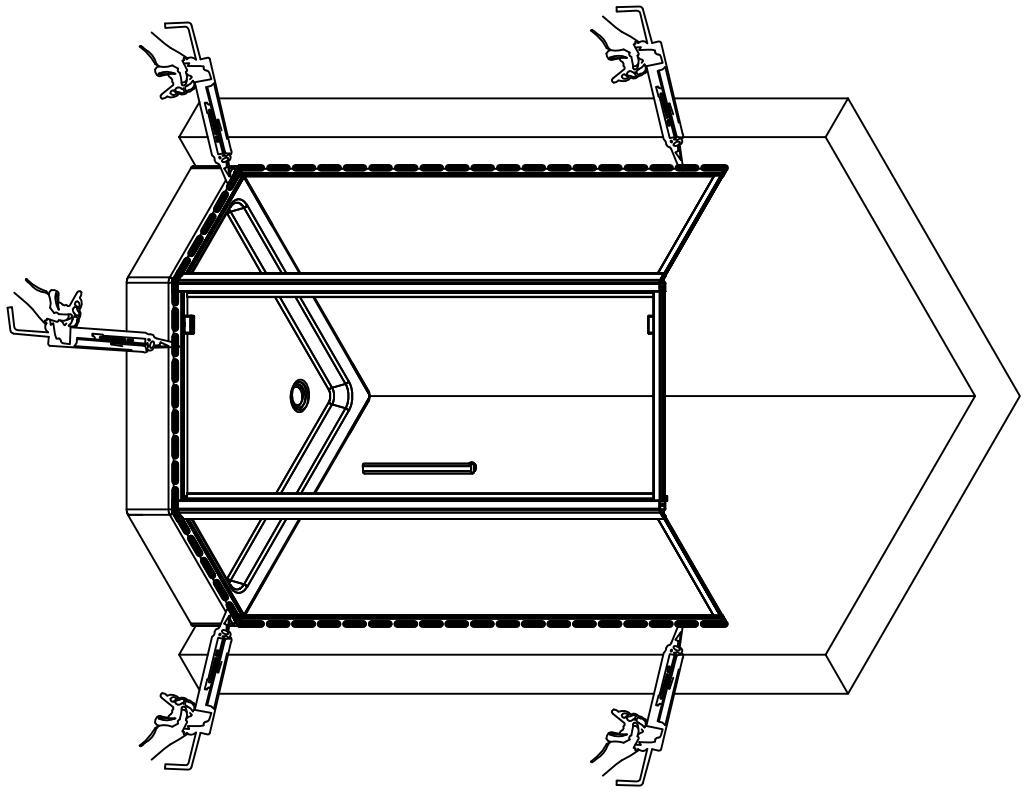
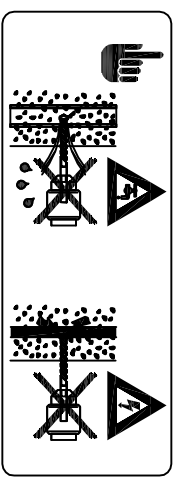
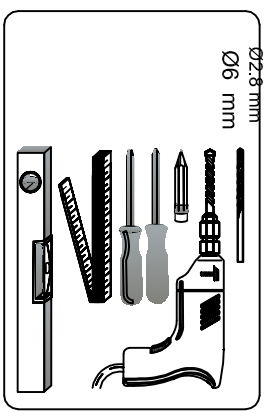
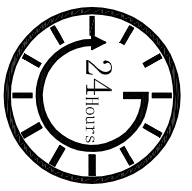
NO	PCS	DESCRIPTION
1	2	Glass Return Panel
2	1	Door Assembly
3	2	Wall Receiver
4	2	Corner Post
5	1	Vertical Door Extrusion
6	1	Vertical Door Extrusion
7	2	Top and Bottom Sill Extrusion
8	2	Deflector

NO	PCS	DESCRIPTION
9	2	Pivot Block Assembly
10	1	Handle Assembly N
11	2	Top Support Brackets
12	6	Wall Plug
13	6	Screw S/S ST4X30
14	18	Screw with Cap S/S ST4X12
15	8	Screw Top Brackets

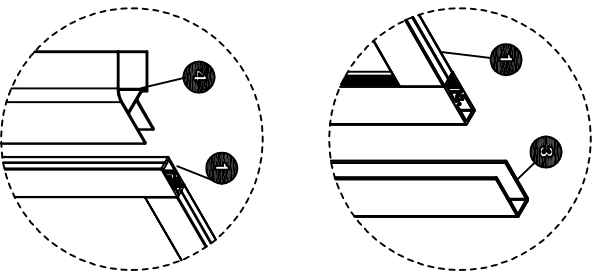
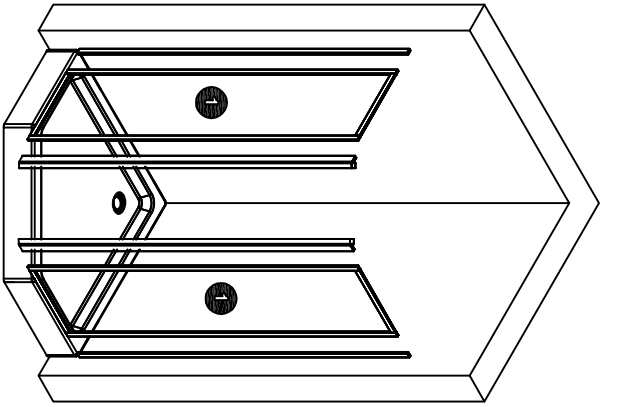
INSTALLATION INSTRUCTIONS

1. Before installing the door, the shower base and wall liner must be already installed in accordance with the separate instructions. Measure approximately 15mm from the outer edge of the shower base and mark this position on both sides (as per fig 1 and 2) Place the wall receivers (item 3) in position and level vertically (as per fig 3) Drill holes using 3mm drill bit and fasten to the wall using the ST4 x 30 screws (item 13). Solid fixing to nogs is preferred. However if a nog is not available enlarge the hole to 6mm to receive a wall plug. (as per fig 4) Hint: It is good practice to apply an "eye brow" of silicone sealer above each screw prior to fixing. Apply silicone to the screw thread also.
2. Position the two fixed return panels (item 1) into the wall receivers (as per fig 5)
3. Loosely fit the two corner posts and position the door assembly in to place. Ensure that the corner posts engage with the two return glass panels. Note that the door can be fitted to open from left or right. (Simply turn the complete door assembly upside down to change the orientation). The door opens outwards. Position the door and returns for "best fit" to the shower base. Ensure that the junctions of the connecting extrusions are shared to maximize available adjustment (as per fig 7) Note: All fixing is done inside the shower.
4. Drill through the vertical return glass panel in to the wall receiver. Drill the lowest hole first to ensure that the "best fit" to the shower base is maintained (approx. 50mm from the shower base) Fasten using the ST4 x 12 screws (item 14) (as per fig 7) Repeat the same procedure for the opposite return glass panel and the corner post junction for the return glass panel and the door assembly.
5. Drill the top hole and another midway between and fix using the ST4 x 12 screws with caps. Repeat the same procedure for the opposite return glass panel.
6. Starting at the pivot block side of the door, check for plumb in all directions and drill and fix the corner post to the return glass panel. Repeat the same procedure for the handle side of the door. Check that the door functions normally, opens freely and closes to the magnetic seals.
7. Place the top fixing bracket (item 11) in position above the corner post and drill and fasten (as per fig 8). Repeat the same procedure for the opposite bracket.
8. Fitting the handle. This can be done at any time during the installation process. Take care to ensure that the clear washers are fitted either side of the glass to prevent metal to glass contact (as per fig 8) Do not over tighten.
9. Apply a neat bead of silicone sealer around the outside perimeter of the shower.

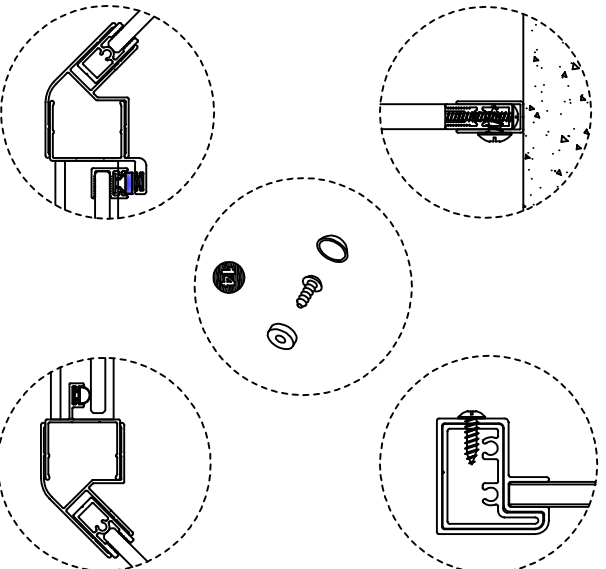
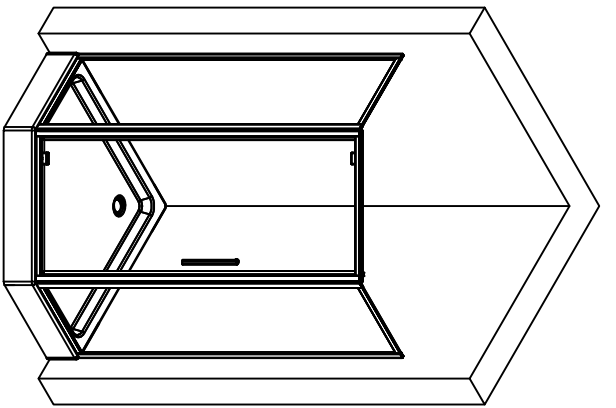
Note: Masking the area to be sealed will give you a better finish
IMPORTANT: DO NOT APPLY SILICONE TO THE INSIDE OF THE SHOWER



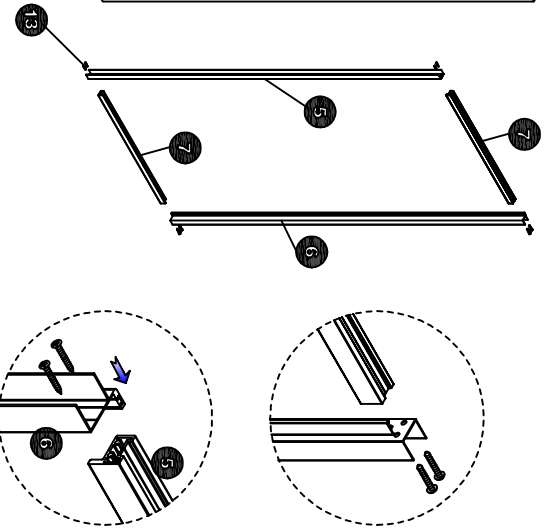
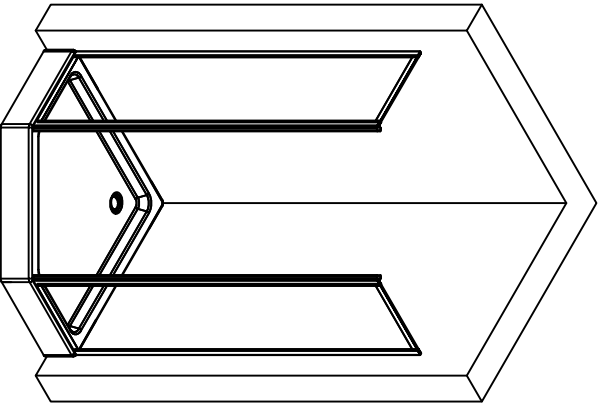
5



7



6



8

