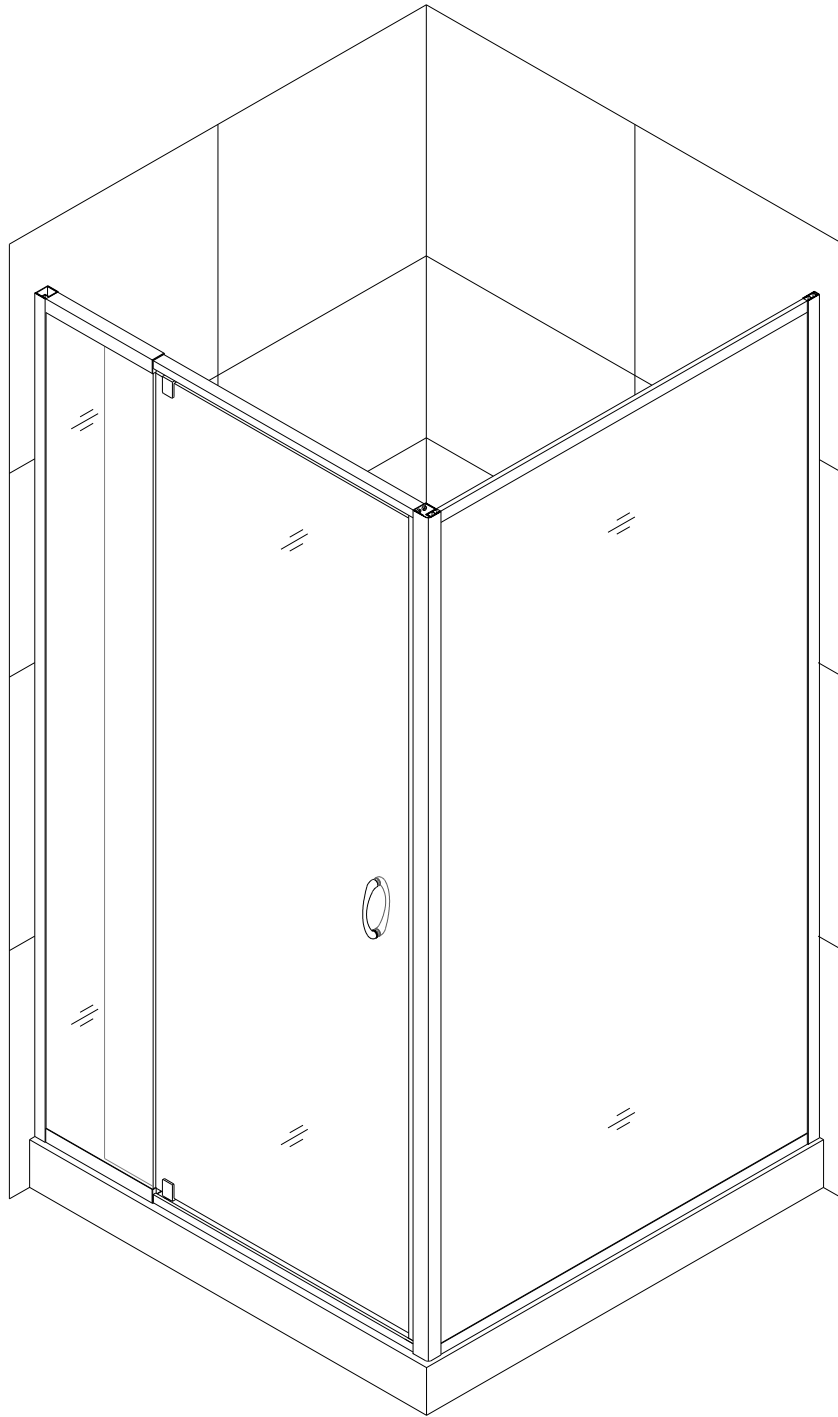


# E181 Shower Enclosure Installation Manual

## IMPORTANT

Please read carefully the following instructions before installing your shower enclosure. If you have any questions on this shower enclosure installation - please call your local dealer.

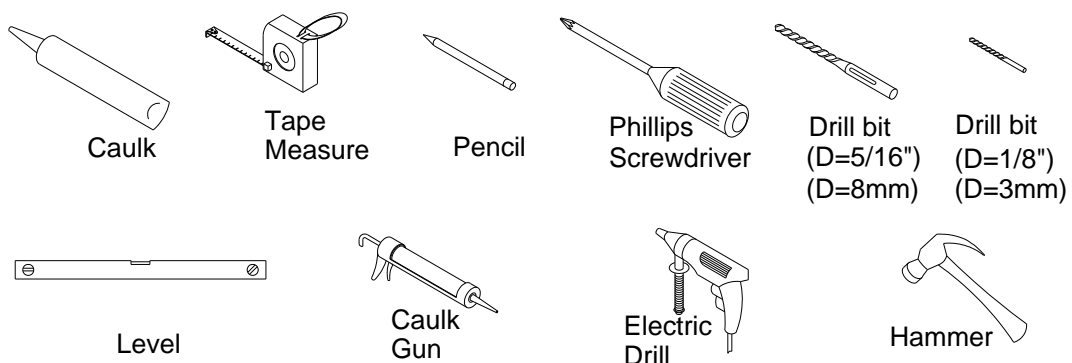


Our product may have changes without prior notice

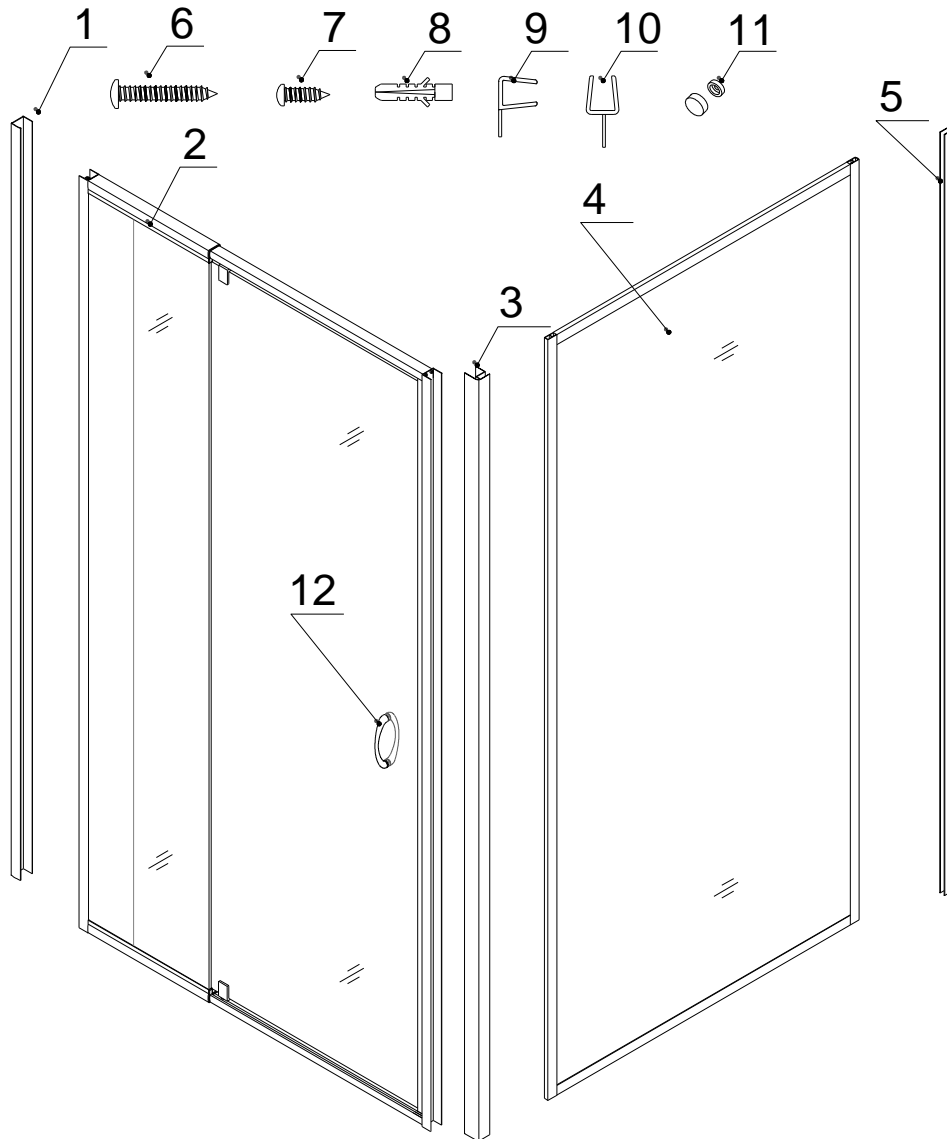
## **Preparation**

1. After opening all the boxes, read this introduction carefully, verify that all packed parts are complete by cross checking all the components against the "Detailed Diagram of Shower Enclosure Components". Examine for shipping damage. If the unit has been damaged or you have any other questions - please contact your local distributor.
2. Please note that you should consult your local building codes on questions on installation compliance standards. Building and plumbing codes vary by country and location, your local dealers or distributors are not responsible for code compliance standards for your project.
3. Use a competent and licensed (if required by local code) plumber for all plumbing installation.
4. Please insure that prior to the installation the floor is leveled and solid and will be able to support the total weight of the unit and its occupant. Also make sure the walls are at right angles. While some adjustment of the glass is possible, improper angle of the side walls will result in a serious problem for your installation. Please, note that some adjustments and drilling might be necessary during the installation process.

## **Tools Required**



## Detailed Diagram of Enclosure Components

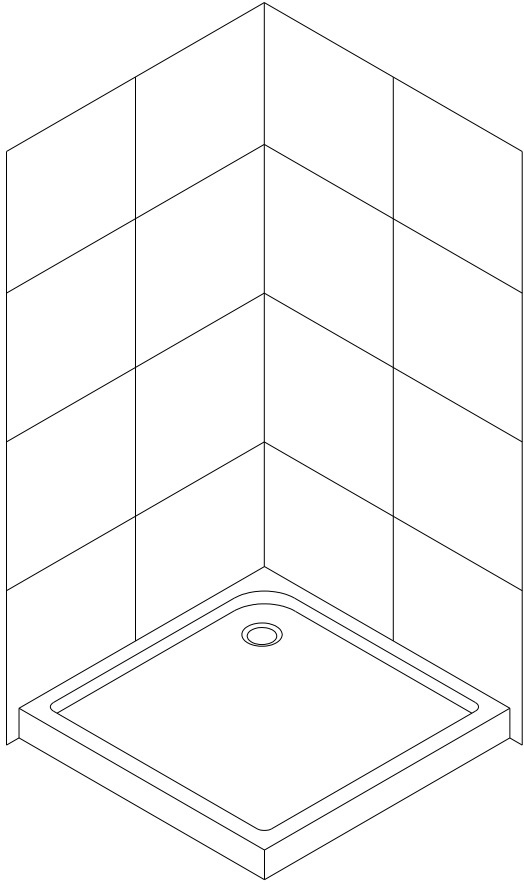


## Packing List

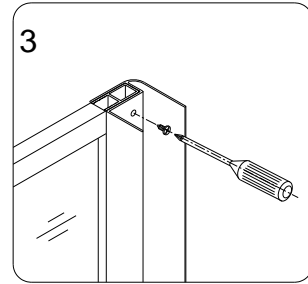
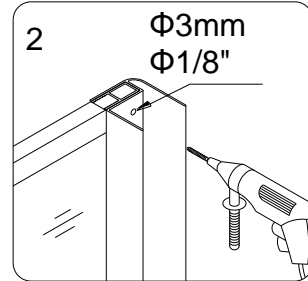
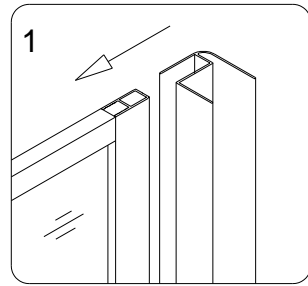
01	Wall profile	1PC	07	Round head screw ST4.2×10	12PCS
02	Moving door(assembly)	1SET	08	Wall anchor	8PCS
03	Corner (aluminum)	1PC	09	Flanged anti-water strip	1pc
04	Flanged stationary door	1SET	10	Bottom anti-water strip	1pc
05	Wall profile	1PC	11	Decorative cover	10PCS
06	Big head screw ST4.2×40	8PCS	12	hand	1pc

## Shower Enclosure Installation

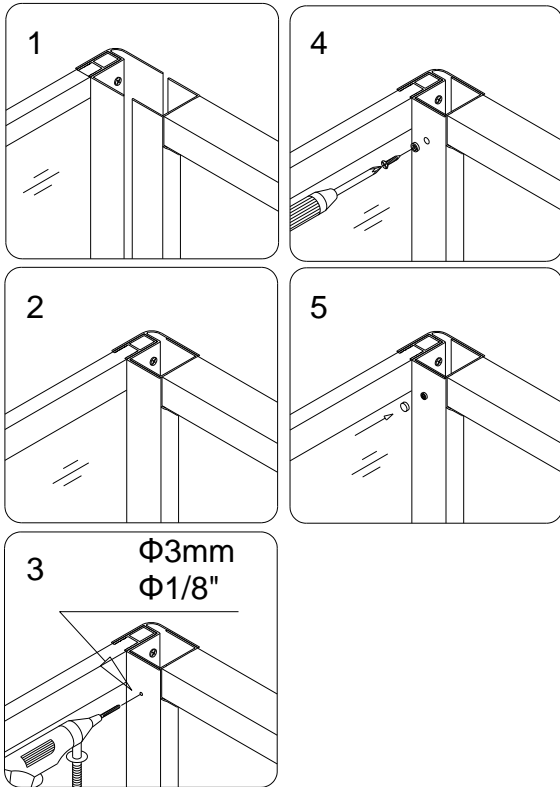
1. Install the shower tray or stone base according to the customer's actual condition. See Fig 1 for details.
2. Snap the **Corner (aluminum) (03)** into the **Flanged stationary door (04)**; drill holes on it and fix by **Round-head screw ST4.2×10 (07)**. See Fig 2 for details.
3. Snap the **Moving door(assembly) (02)** into the **Corner (aluminum) (03)** and drill holes on it, fastening by **Round head screw ST4.2×10 (07)** and **Decorative cover (12)**. See Fig 3 for details.
4. Snap the **Wall profile (01)** into the flange of the moving door. Fix the **Wall profile (05)** on the **Flanged stationary door (04)** by the same way. See Fig 4&5 for details.
5. Move the assembly enclosure onto the tray which has been installed. See Fig 6 for details.
6. Adjust the elastic width of the enclosure according to the width of the tray's fix position; stretch the fix bars in the top and bottom. Please note that the maximum adjustable length of the fix bar is 120mm. Well combine the enclosure and the tray. See Fig 7 for details.
7. Measure the door by the level so as to make it perpendicular. See Fig 8 for details
8. Mark the screw holes on the aluminum **wall profile (01)** by pencil; drill through the pre-marked holes together with the **Wall anchor (08)**, fastening by the **Big head screw ST4.2×40 (06)**. See Fig 9 for details.
9. Mark the screw holes on the aluminum **wall profile (05)** by pencil; drill through the pre-marked holes together with the **Wall anchor (08)**, fastening by the **Big head screw ST4.2×40 (06)**. Then fix the enclosure. See Fig 10&11 for details.
10. Measure the stretched length of the top fix bar by the tape measure; adjust the fix bar at the bottom to make it with the same length as the top fix bar. See Fig 12 for details.
11. Drill through the pre-drilled holes on the up fix bar and fix with the **Decorative cover (11)** and the **Round head screw ST4.2×10 (07)**. See Fig 13 for details.
12. Install the fix bar at the bottom by the same way above. See Fig 14 for details
13. Open or close the moving door to adjust the door so that the magnetic strips can attract each other well.
14. Drill on the wall profile according to the adjusted position together and fix with the **Round head screw ST4.2×10 (07)** and the **Decorative cover (12)** so as to fasten the door well. See Fig 15 for details.
15. Snap the **Flanged anti-water strip (10)** into the stationary glass & Snap the **Bottom anti-water strip(10)** into the moving door . See Fig 16 for details.
16. Apply the mild silicon caulk on the connection between the enclosure and the tray, and between the enclosure and the wall. See Fig 17 for details.



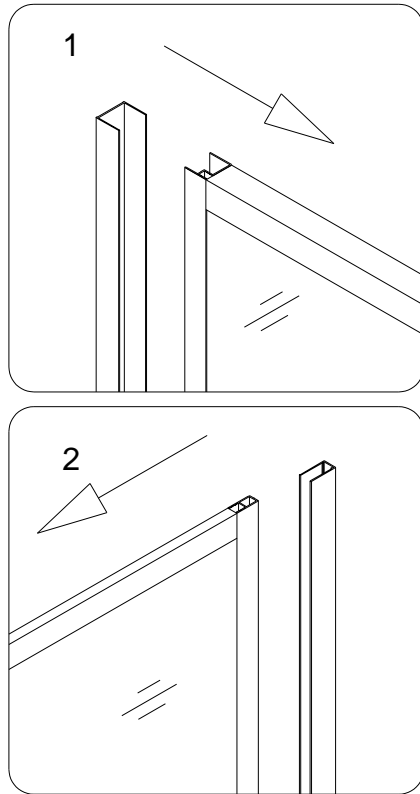
**Fig 1**



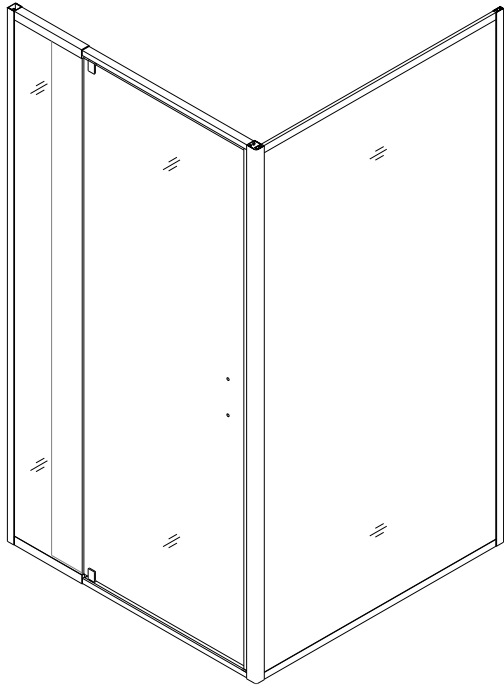
**Fig 2**



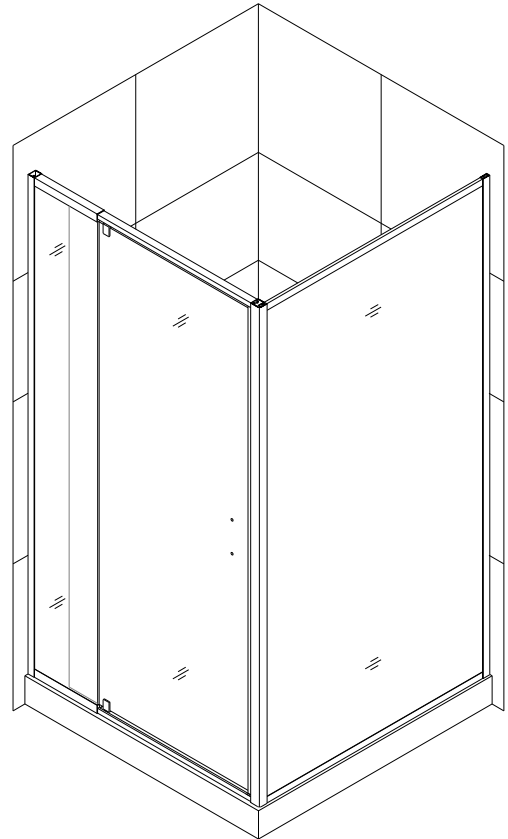
**Fig 3**



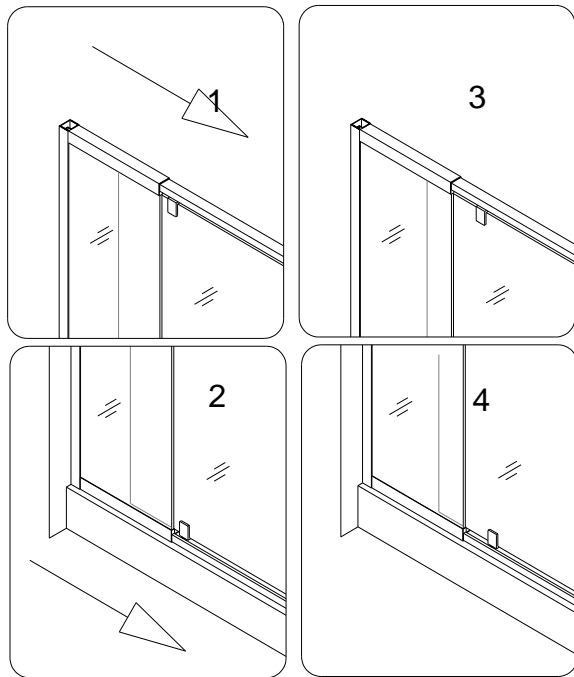
**Fig 4**



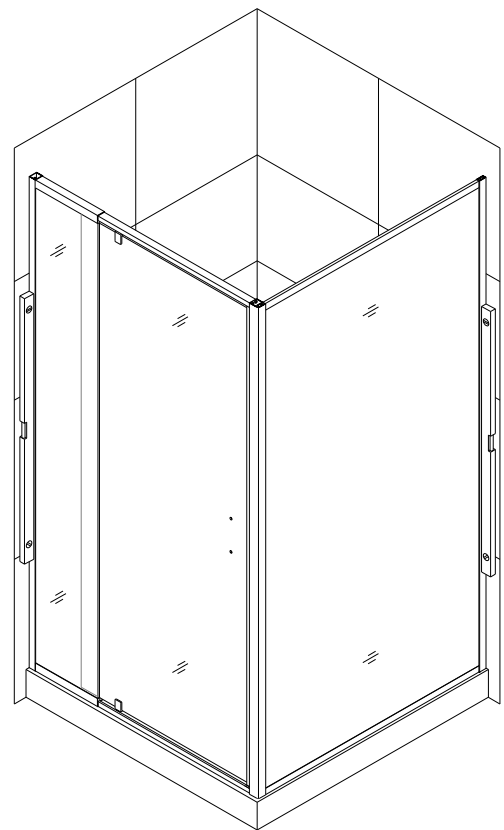
**Fig 5**



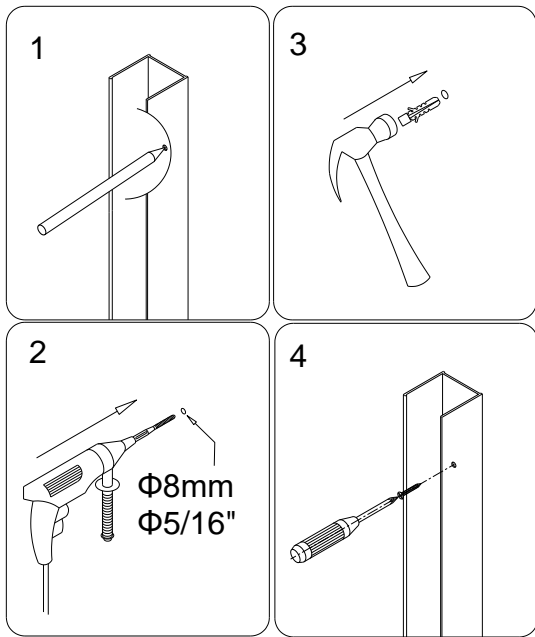
**Fig 6**



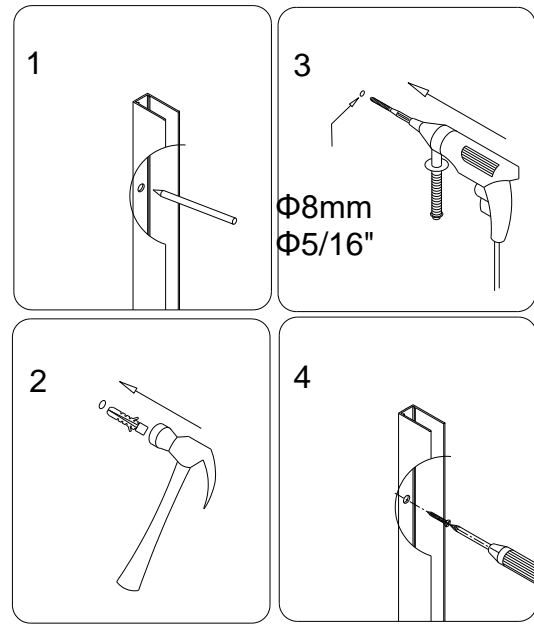
**Fig 7**



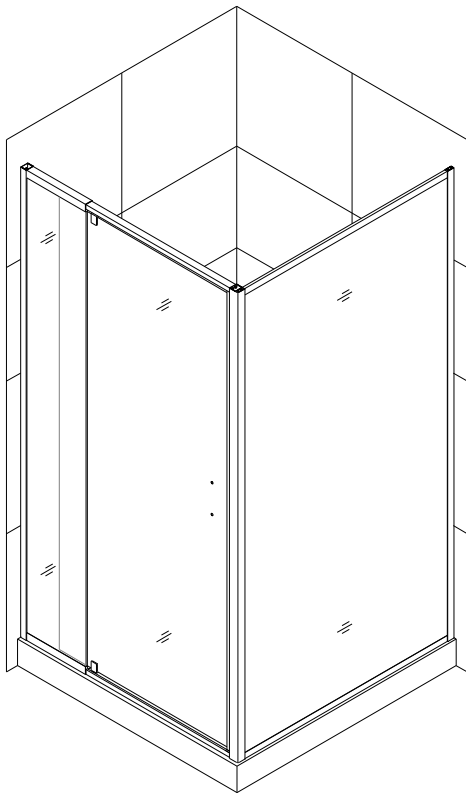
**Fig 8**



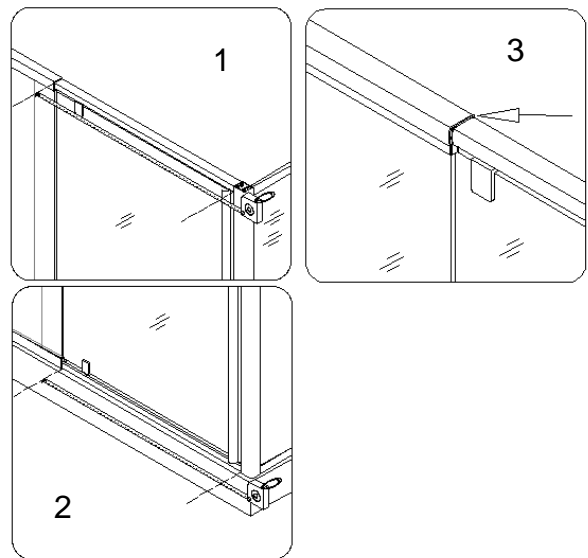
**Fig 9**



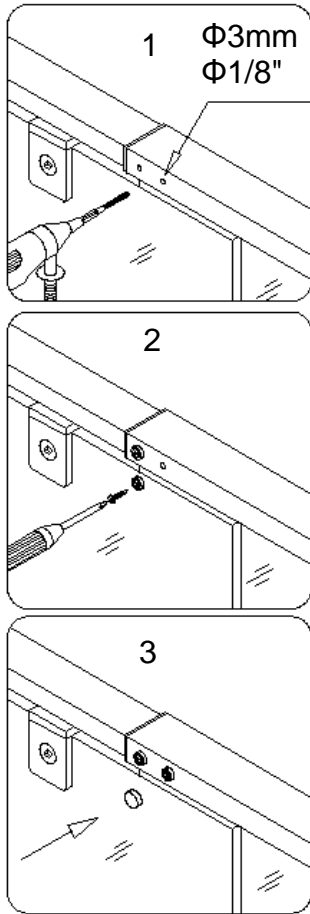
**Fig 10**



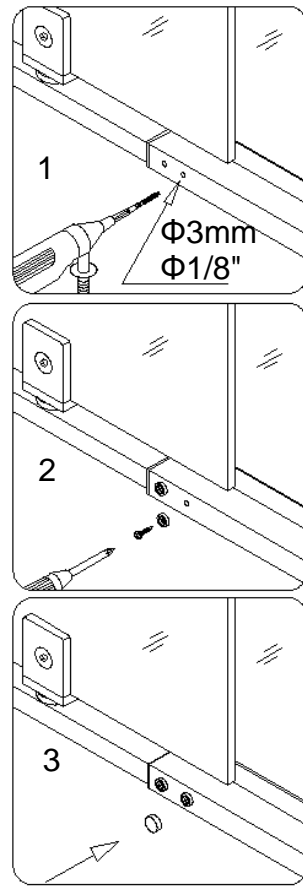
**Fig 11**



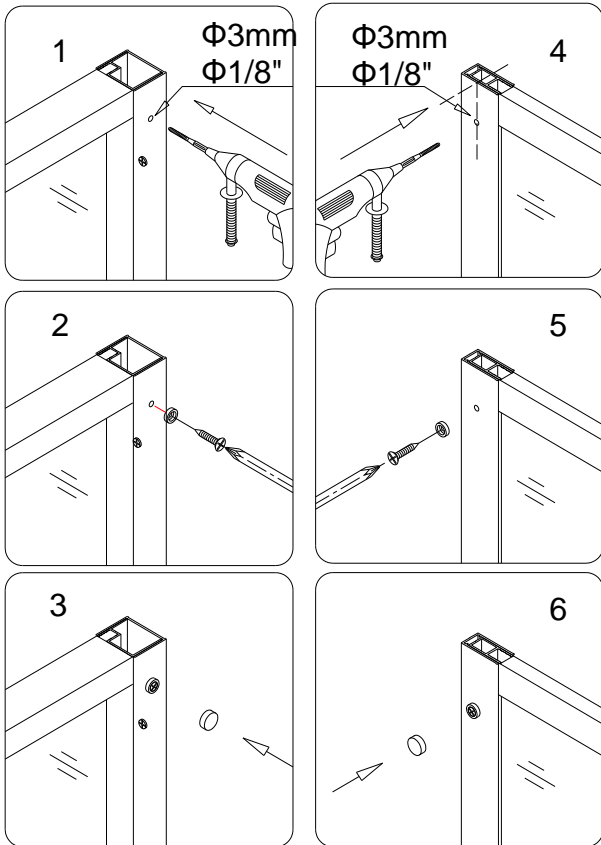
**Fig 12**



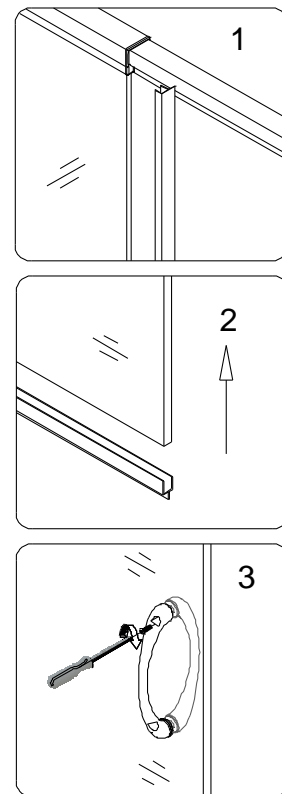
**Fig 13**



**Fig 14**

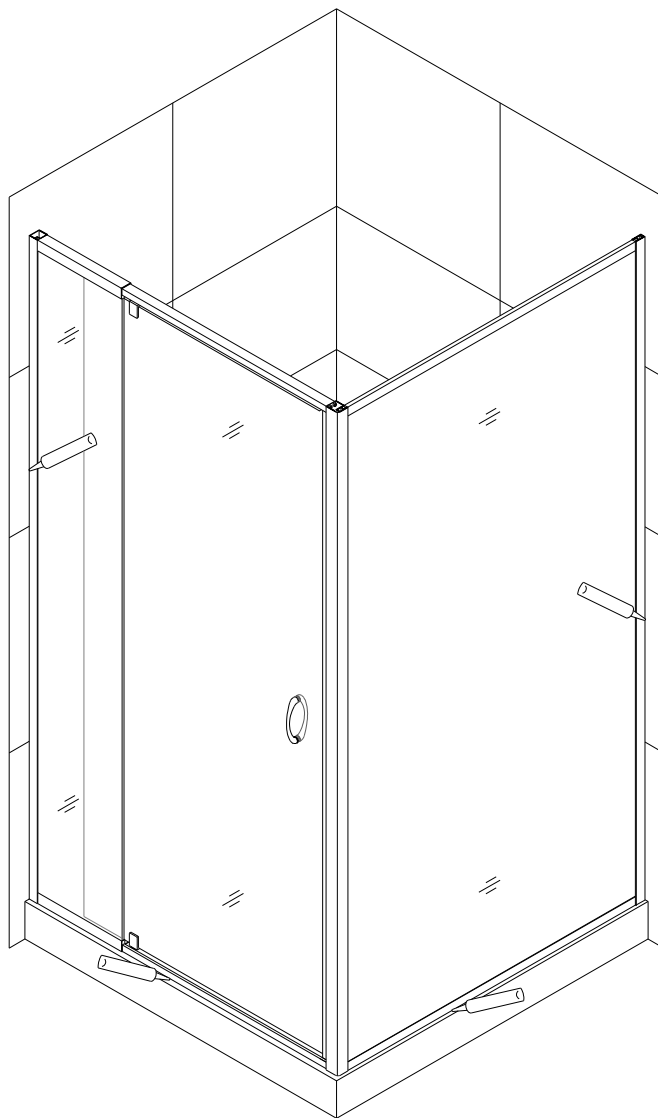


**Fig 15**



**Fig 16**





**Fig 17**

## **Product Maintenance**

1. Tempered glass can be cleaned with nonabrasive bathroom cleaner or any glass cleaner you use elsewhere in your home. Rinse off any glass cleaner that gets on the aluminum as soon as possible to avoid damage to the anodized surface. Avoid striking it with any sharp or hard objects. Such damage can cause either immediate or delayed breakage of tempered glass.
2. The aluminum in your shower door is durable and resistant to water damage. It is advisable, but not necessary to wipe it with your towel after your shower. Clean it as often as needed to keep the buildup off. Never use any type of abrasive cleaner. Use only a soft damp cloth and nonabrasive bathroom cleaners.