



IMPORTANT - PLEASE RETAIN THIS DOCUMENT FOR WARRANTY REFERENCE. PLEASE ALSO ATTACH YOUR SALES RECEIPT FOR ANY FUTURE INQUIRIES

INSTALLATION GUIDE

Round Shower Door Set

1

Contents

Introduction	Page 3
Contents supplied	Page 4
Tools Required / Safety Warnings	Page 5
Installing wall receivers	Page 6
Frame assembly and installation	Page 7
Fixing frame and installing door	Page 8
Door adjustmant	Page 9
Door adjustment (continued)	Page 10
Sealant Installtion	Page 11
Warranty / Cleanaing and After sales service	Page 12

2 Introduction

Thank you for purchasing a Nouera Product. As a 100% New Zealand owned and operated company with over 35 years experience, we appreciate your support, and we're sure you will find this product of the highest quality.

This Installation manual is designed to provide you as much assistance as possible during the installation process. If at any stage you encounter confusion, we invite you to contact us at your earliest convenience. One of our technician's will be more than happy to talk you through any questions you may have. Our contact details are at the back page of this manual.

It is important to consider the implications not only to voided warranty, but also potential water leakage if Installation is not carried out correctly. It's always better to be safe than sorry.

This product has been manufactured to meet all of our quality assurance standards, and as required by the New Zealand Building code, or Glass is manufactured to meet all requirements of AS / NZS 2208.

This product is also covered by our full 10 year "NO NONSENSE" warranty. The full details of this can be found on Page 12 of this manual.

Product Orientation

The Images in this manual shows an equal sided shower installation. This instruction document is designed for both our equal sided showers i.e 900 x 900 , 1000x1000mm , and also for our Unequal sided showers i.e. 1200 x 900 or 1200 x 800. Please note on all of these showers the installation steps and practices are identical in every way.



1200x900 LH



1200x900 RH



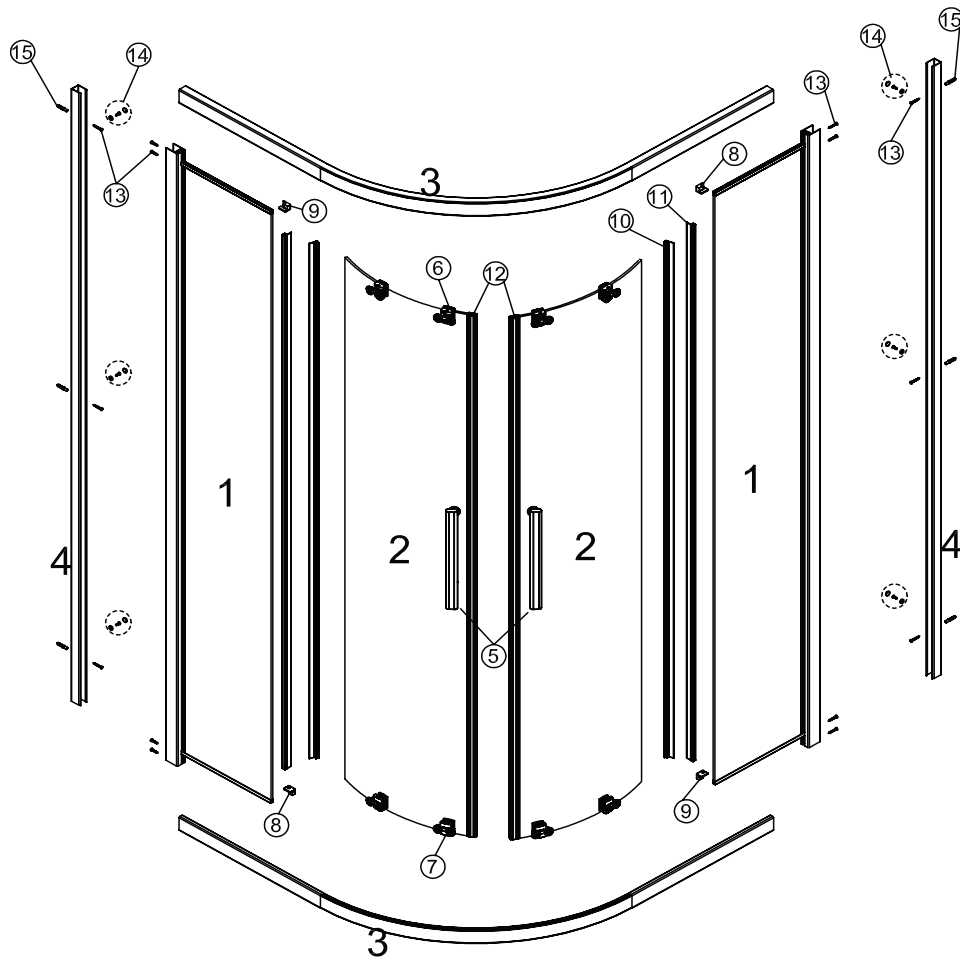
820x820



1055x1055

3 Contents Supplied

Please ensure that all parts listed below are supplied prior to starting installation



PARTS LIST

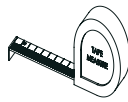
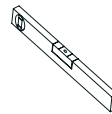

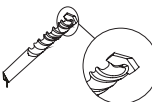
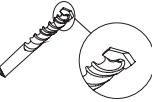
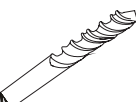
Part Number	Description (QTY)
1	Glass Return Panel (2)
2	Glass Door Panels(2)
3	Top + Bottom Frame Hoop (2)
4	Wall Receiver (2)
5	Door Handle (2)
6	Top Roller (4)
7	Bottom Roller (4)

Part Number	Description (QTY)
8	Glass Retainer Clips LH (2)
9	Glass Retainer Clips RH (2)
10	Weatherseal (2)
11	Weatherseal (2)
12	Magnetic Door Seal (2)
13	Fixing Screws 4mm x 30mm (14)
14	Fixing Screw Sets (6)
15	Hollow Wall Anchors (6)

4

Tools Required

	Flat head Screwdriver
	Phillips Screwdriver
	Marking Tool
	Drill
	Hammer

	Tape Measure
	Level
	Caulking Gun / Silicone
	6mm Tile Drill Bit (if wall surface is tiled and hollow wall anchors are installed)
	3mm Tile Drill Bit (if wall surface is tiled and solid timber mounting is available)
	3mm HSS Drill Bit

** We Recommend the use SIKA Sikasil NG Artic White Silicone or Clear Silicone

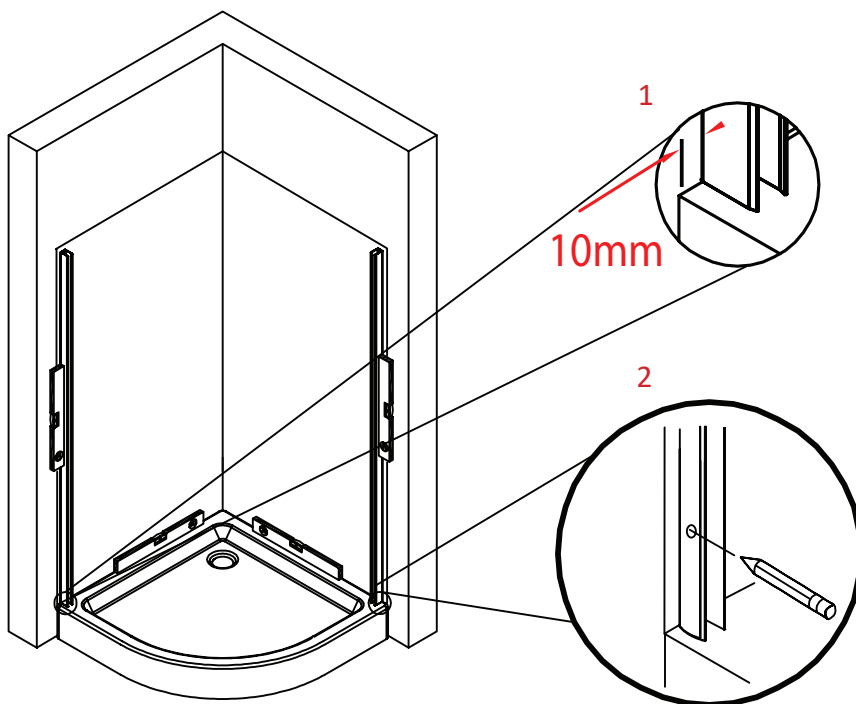
Safety / Warnings

Warning - The Glass Panels of this product are made from high quality Safety Glass. The nature of Safety Glass means that it is highly impact resistant on its FACE (flat side). However, it is sensitive to impact on its edges. Take all possible steps to ensure the edges of the glass panels are protected from impact during installation.

Safety - Please take all possible steps to ensure that the correct Personal Protection Equipment is used, and that is taken during the installation of this product.

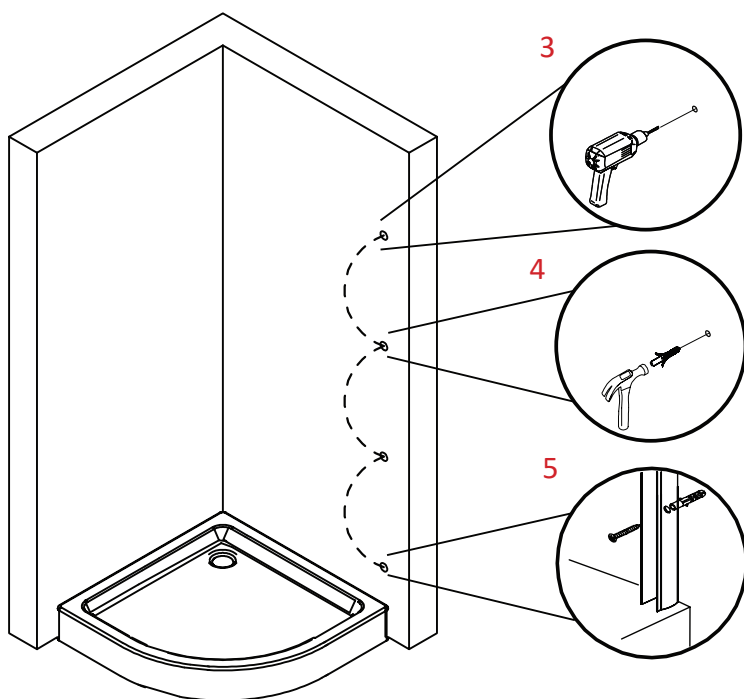
5 Installing wall receivers

Before Installing the wall receivers the shower tray and wall liner must be installed in accordance with the separate instruction manual.



Step 1 - Measure and mark on the wall surface 10mm **INSIDE** of the outer edge of the tray. Both sides of the tray.

Step 2 - Place the wall receiver on this mark. Ensure the wall receiver is vertically plumb with a level, and mark hole positions on wall surface.



Step 3 - Drill 3mm Pilot holes.

Step 4 - If the walls are hollow, drill a 6mm hole, and install the hollow wall anchors.

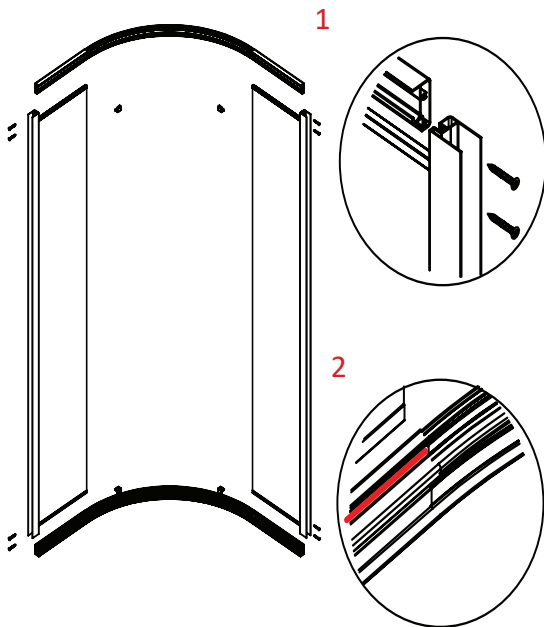
If you have solid timber fixings (preferable), drill a 3mm pilot hole through the wall surface.

Step 5 - Install screws through wall receivers and into wall/ anchors. Run a small "eyebrow" bead of silicone onto the thread as you insert the screw.

6

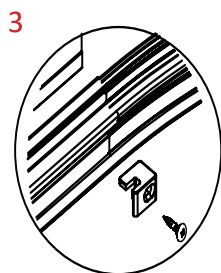
Frame Assembly and Installation

Hint - During frame assembly, the fixed glass panels require support . If the frame is placed in reverse INTO the installed tray and liner, the fixed glass panels can be supported by the wall liner during assembly. As an alternative the panels can be held by a clamp onto a door or similar to hold them upright whilst the hoops are fastened.

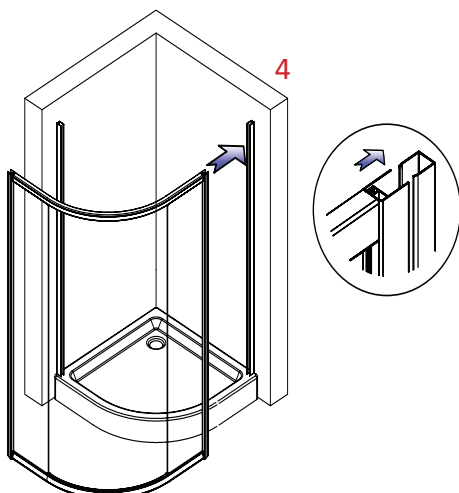


Step 1 - With fixed glass return panels held upright, install the top and bottom frame “hoops”. Fasten the fixed glass return panels to the hoops with 4 x (2 x top, 2 x bottom) 4x30mm screws. **Caution** take your time when installing these screws as they have to cut a thread into the hoop. If the screw meets resistance whilst tightening, back the screw out and then continue tightening, until the frame is tight.

Step 2 - As a precaution to aid sealing, install an even bead of silicone onto the top and bottom “hoops” . The hoops have a recess which the glass fits into, on the vertical face of the recess, install an even bead all the way from the retaining clip hole to the end of the hoop.



Step 3 - Install the glass return panel retaining clips. **Again** - take your time when installing these screws as they have to cut a thread into the hoop. If the screw meets resistance whilst tightening, back the screw out and then continue tightening, until the frame is tight. Once the clips are tightened cleanly bead the silicone from the hoop to glass return panel joint, and wipe away all excess.



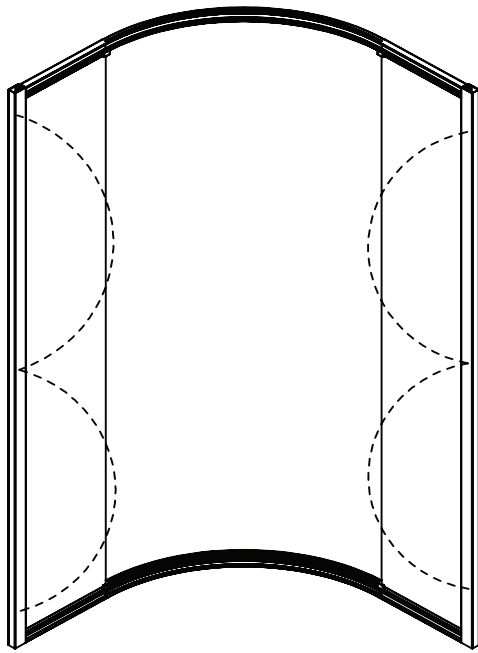
Step 4 - Install the completed frame onto the wall receivers - NOTE the frame fits OVER the outside of the wall receiver.

Slide the frame back in and out of the wall receivers so the gap between the outer edge of the tray and the frame is equal all the way round.

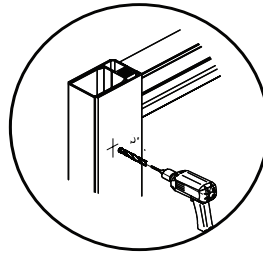
Once positioned, ensure there is a minimum of 10mm overlap between the wall receivers and the frame.

7

Fixing frame and installing door

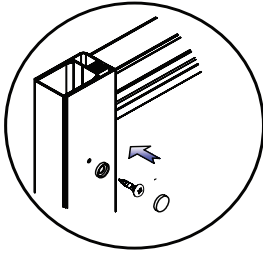


1



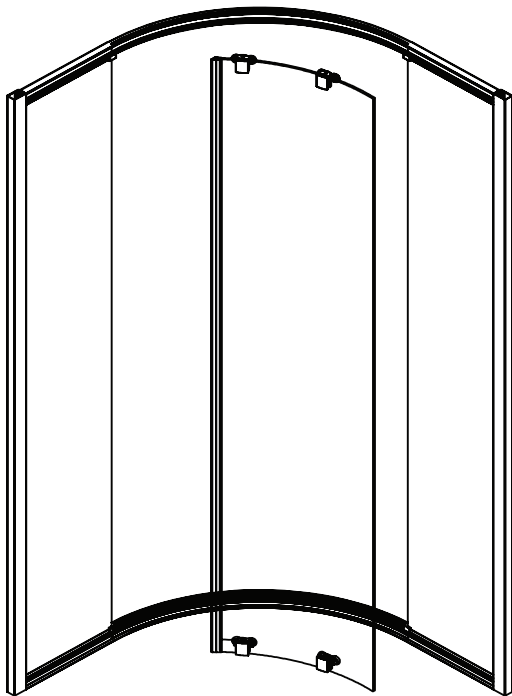
Step 1 - From the **INSIDE** Drill 6 x 3mm holes through the wall receiver and the framing. Take care not to drill through the glass

2



Step 2 - Install the screw retaining collars onto the 4x12mm screws (x6). Install the screws into the 3mm holes. Install the cover caps.

CAUTION - When hanging the door take great care not to damage the glass in anyway. As the door panels are safety glass they are extremely sensitive to impact on thier edges.



3

Step 3 - Taking care not to damage the glass, hang each glass panel on the top frame. You will need to lift the door, and angle the bottom of the door back **INTO** the shower so that the rollers can engage into the top framing. This is easier to do from the **INSIDE** of the shower.

Once the top rollers are engage in the top frame, allow the bottom of the door to hang freely.

8 Door Adjustment

Introduction

TOP ROLLER

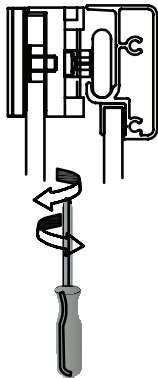
The top rollers have phillips head adjustment screws. These raise and lower the height on each side of the glass door panel. This allows adjustment overall of height, and adjustment of the way the doors fit together.

To **raise** the panel - turn clockwise

To **lower** the panel - turn anti clockwise.

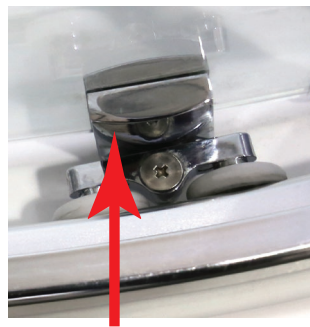


Adjustment screw

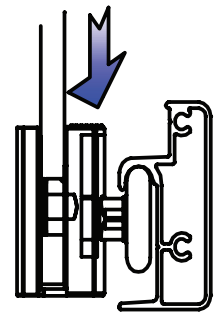


BOTTOM ROLLER

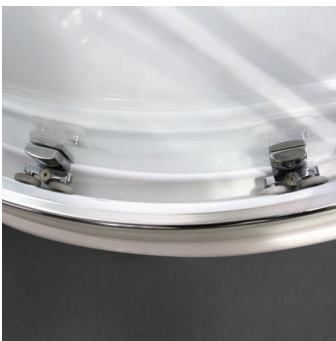
The bottom rollers have a flat surface on the chrome roller body. When this is pressed down, the sprung loaded roller will move downwards and disengage from the bottom framing.



Button



Primary Adjustment



Step 1 -

Now you should have 2 glass door panels hanging off their top rollers with the bottom rollers resting INSIDE of the bottom frame. Check if the front face of all 4 rollers are resting against the frame. If one pair of rollers is not touching the frame, adjust the TOP rollers up or down until all 4 rollers are resting against the inside of the frame.

Repeat this procedure on the other door.

Step 2-

Test both doors to ensure that the bottom rollers engage onto the bottom frame.

If they don't engage, then lower the door by adjusting both top rollers an equal amount of turns anti clockwise to lower the height of the door panel.

Do this until the bottom rollers engage and disengage from the bottom frame comfortably.

8 Door Adjustment

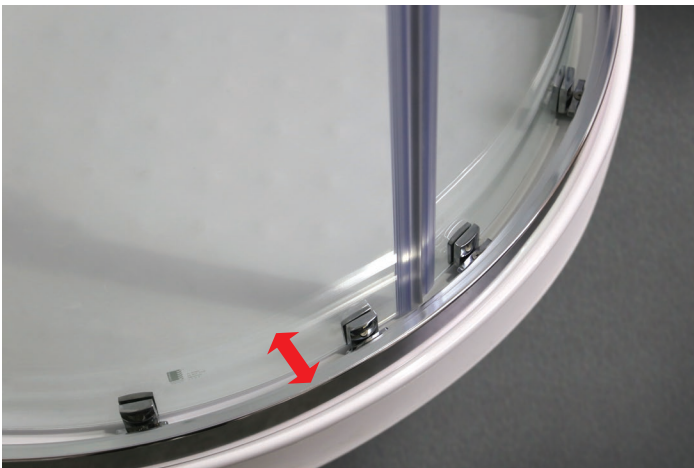
Secondary Adjustment



Step 1 -

Carefully check that the gap between the glass panels when both doors are in the closed position is equal from top to bottom.

If the gap is not equal than carefully adjust the rollers so that they lift or lower each side of the door panel, until the gap is equal.



Step 2 -

Check for the amount of front to back movement between the glass panel and the Frame. Move 1 door panel to the open position, and move one door panel to the closed position, and place your hand on the front of the glass panel. Gently push the glass panel inward and check how much movement there is. There should be only 1-2mm movement normally. More than this means the bottom rollers are not high enough in the bottom frame, and the sliding action will not be smooth.

To reduce the amount of movement, adjust the top roller screws, equal amounts to lift the door panel height.

Check for movement again then test the sliding action of the door.

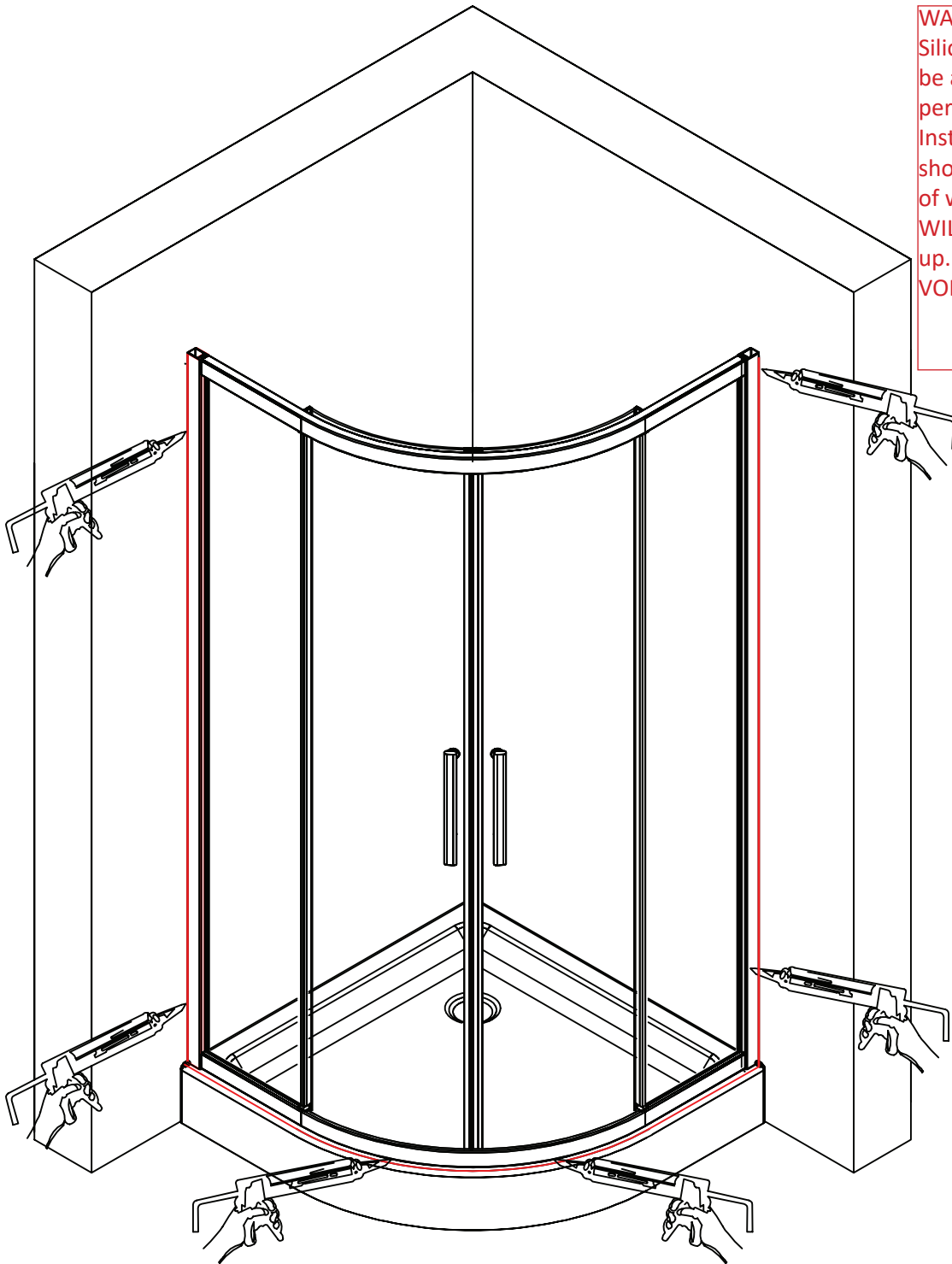
Step 2 -

Install seals to the fixed glass panels, and trailing edge of the glass door panels. Then install magnetic seals to closing edges of glass. - Ensure these are pushed on to the glass tightly. **HINT** - If the Seals are tight on the glass apply glass cleaner or soapy water to the edges of the glass, which will act as a lubricant and aid the installation fo the seals.

9

Sealant Installation

WARNING -
Silicone sealant should only be applied to the **OUTSIDE** perimeter of the shower. Installing silicone inside the shower can cause blockage of water and leakage, and **WILL** cause mould build up. Your warranty **WILL BE VOIDED**.



Step 1 -

Apply a bead of Silicone to the **OUTSIDE** perimeter of the shower. Apply a bead to the outside of the wall receivers where they meet the liner / wall surface. Continue this bead down to the junction of the liner / receiver and tray. Take care at this junction to ensure the corner joint is completely sealed on the outside. Repeat on the other wall receiver, then run a bead around along the joint between the door frame and tray. Trim and allow to dry for 24 hours.

10 Warranty

All bathroom ware products supplied by Nouera Shower systems carry our Quality Assurance and Product Warranty. We use the highest quality materials available and manufacture these in accordance with New Zealand specifications and requirements to ensure that all products are fit for the intended purpose for which they are designed. Our customers Peace of Mind is of paramount importance to us.

Warranty Periods

Baths	10 years
Showers	10 years
Shower Screens and Doors	10 years
Black Coated Framing and Components	5 years

Warranty Exclusions

The product must be installed according to the instructions supplied.
The water supply temperature applied to the product must not exceed 55 degrees Celsius.
Commercial Applications are restricted to a 2 year warranty on all products."

11 Cleaning

Shower Wall

We use Durosan premium quality sanitaryware grade Acrylic. It is, by design very robust and chemical resistant. A soft damp cloth with non abrasive cleaners should be used. Use only non abrasive cleaners that are recommended for Acrylic products.

Shower Tray and Bath

We manufacture our Shower Trays and Baths using a Solid Acrylic Surface. Most other shower trays are manufactured using a veneer Acrylic surface. The great advantage is that small scratches can be removed easily by using fine cutting compound. Again the same basic cleaning methods as the wall are recommended.

Shower Doors and Glass

All glass is compliant to AS/NZS 2208. We suggest that the glass surfaces are wiped down or Squeegeed following use to remove excess water. For best results use a trusted glass cleaner.

Metal framework

Should be cleaned using a soft damp cloth with non abrasive cleaner. Note that on round Showers, the bottom rollers are easy release for ease of cleaning. If chemical spray cleaners are used, avoid direct contact with the rollers and guides and ensure the shower is rinsed off to avoid residue build up.

Weather seals and drip strips

Can be removed if required for cleaning, and can be replaced when they no longer look their best Refer to our spare parts and accessories section of this website for more details.

Note - If the Glass has been treated follow specific cleaning instructions from the system provider.

11 After sales service

We trust you have found this manual helpful during the installation of this product. However if you have any questions at all regarding your Nouera product, please feel free to contact us.

Phone 09-274-7423

Fibre Systems Ltd

20 Neilpark Ave

East Tamaki

Auckland